

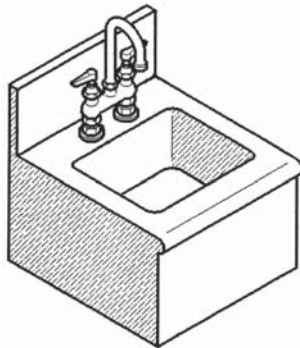
Project _____

Dealer _____

Item # _____ Quantity _____

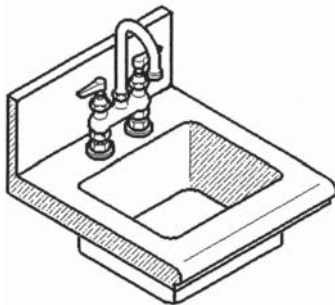
WALL MOUNT

model shown:
NHS-4



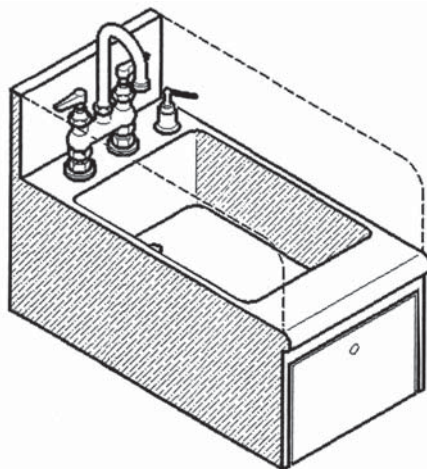
ECONOMY WALL MOUNT

model shown:
NHS-4E



DELUXE WALL MOUNT

model shown:
NHS-6
(NHS-E - w/o side splashes)



SPECIFICATIONS

PLUMBING:

- 1/2" NPS cold and hot connections
- 1" NPS brass drain connection

HAND SINKS

model #	length
<input type="checkbox"/> NHS-4 (wall mount).....	15"
<input type="checkbox"/> NHS-4E (economy wall mount).....	15"
<input type="checkbox"/> NHS-6 (deluxe wall mount).....	12"
<input type="checkbox"/> NHS-6E (economy deluxe wall mount).....	12"

STANDARD FEATURES

- 18 gauge #304 stainless
- Bullnose front design
- Seamless tops pitched to sinks
- Towel dispenser (only NHS-6)
- Soap dispenser (only NHS-6)
- Low lead certified goose neck deck faucet
- Wall mount bracket
- 6" High back splash
- Left & right side splashes (only NHS-6)
- 10" x 11.75" x 6"dp stainless steel sink bowl (NHS-4 & NHS-4E)
- 10" x 14" x 10"dp stainless st. sink bowl (NHS-6)

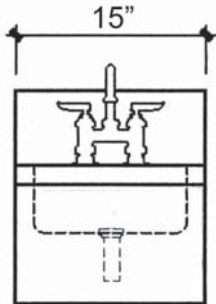
OPTIONAL FEATURES

model #	description
<input type="checkbox"/> CF(low lead certified).....	Chicago faucet upg.
<input type="checkbox"/> SF(low lead certified).....	stainless steel faucet upg.
<input type="checkbox"/> CB.....	cabinet base
<input type="checkbox"/> SP_(4", 8", 10", 12").....	high splash upg.
<input type="checkbox"/> CFGB.....	battery electric faucet
<input type="checkbox"/> CFGP.....	plug electric fct
<input type="checkbox"/> CFGW.....	hardwire elect fct
<input type="checkbox"/> DUP (used w/ -cfgw).....	duplex add on
<input type="checkbox"/> QUP (used w/ -cfgw).....	quad-plex add on
<input type="checkbox"/> M.....	modified size
<input type="checkbox"/> LG.....	4x stainless stl. legs
<input type="checkbox"/> BLS.....	blender shlf add on
<input type="checkbox"/> FPV.....	foot pedal valve (used w/ -CB option)
<input type="checkbox"/> WB.....	wrist blade upgrade

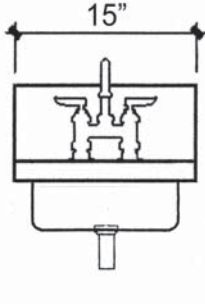
*see options section for more details



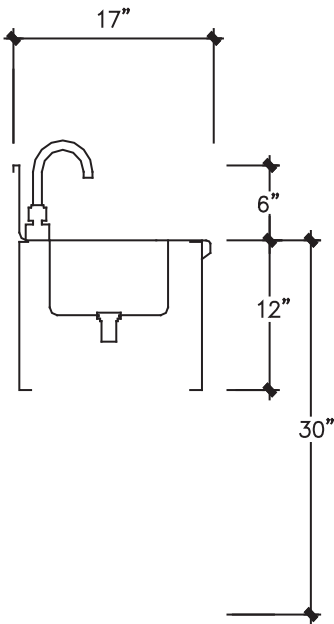
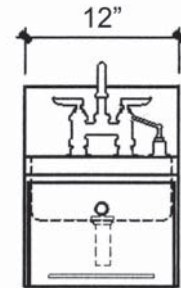
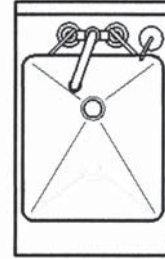
**NHS-4
(WALL MOUNT)**



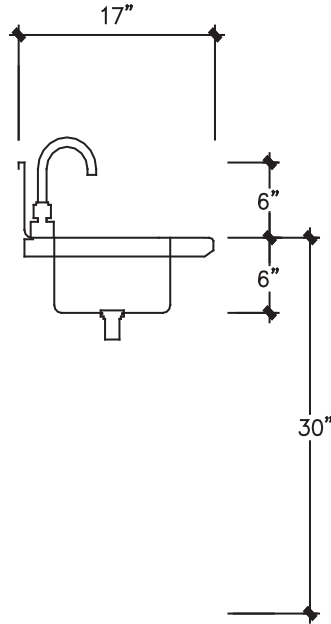
**NHS-4E
(ECONOMY)**



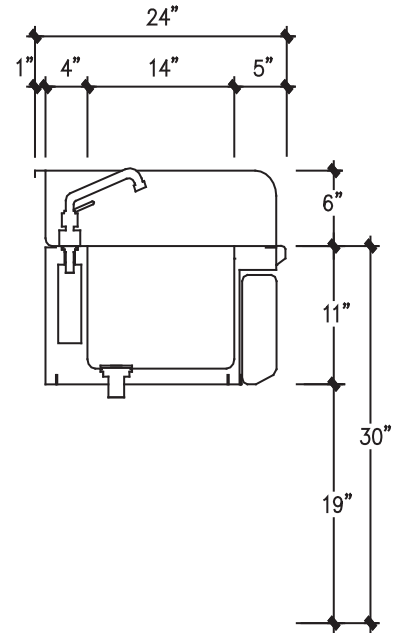
**NHS-6
(DELUXE)**



SECTION (WALL MOUNT)



SECTION (ECONOMY)



SECTION (DELUXE)

model #	shipping weight (lbs.)	model #	shipping weight (lbs.)
NHS-4	40	NHS-6	60
NHS-4E (no body)	35	NHS-6E (no side splashes)	55