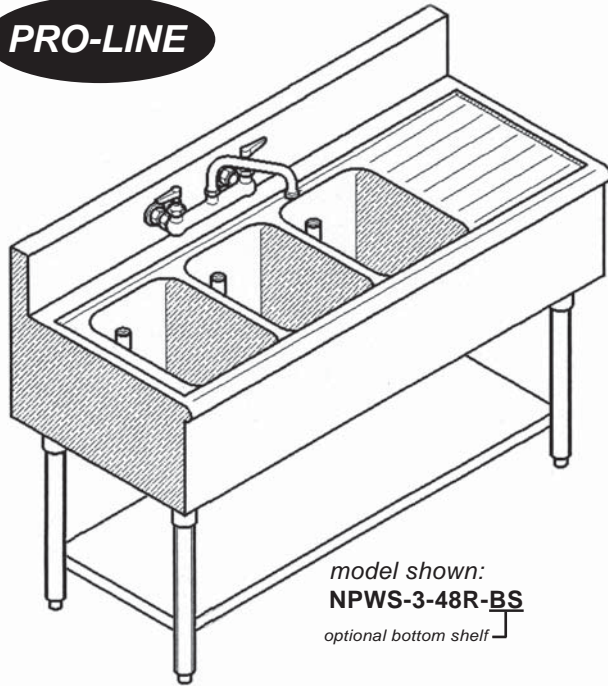




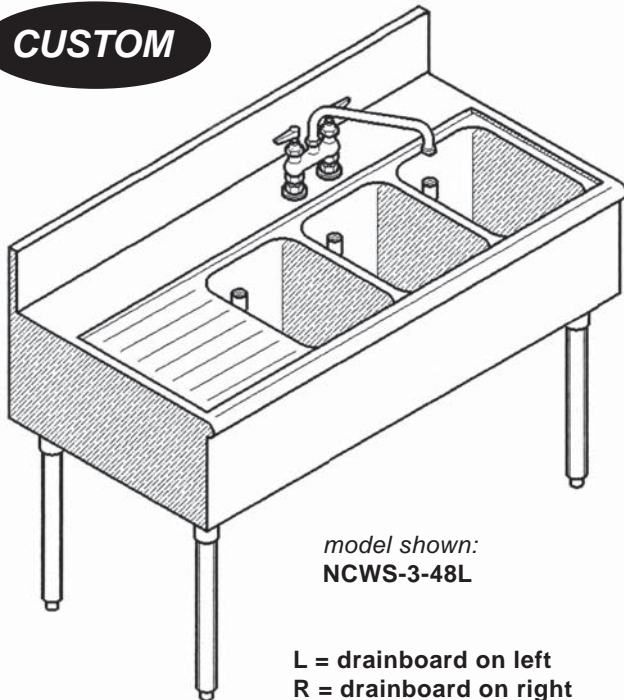
3-COMPARTMENT SINKS W/ DRAINBOARD

PRO-LINE



model shown:
NPWS-3-48R-BS
optional bottom shelf

CUSTOM



model shown:
NCWS-3-48L

L = drainboard on left
R = drainboard on right

SPECIFICATIONS

PLUMBING:

- 1/2" cold and hot connections
- 1-1/2" stainless steel drain connections

Project _____

Dealer _____

Item # _____ Quantity _____

PRO-LINE SERIES 20" DEEP

| | |
|--|----------------|
| model # (specify drainboard location) | overall length |
| <input type="checkbox"/> NPWS-3-48(L or R) | 48" |
| <input type="checkbox"/> NPWS-3-54(L or R) | 54" |
| <input type="checkbox"/> NPWS-3-60(L or R) | 60" |
| <input type="checkbox"/> NPWS-3-66(L or R) | 66" |
| <input type="checkbox"/> NPWS-3-72(L or R) | 72" |

CUSTOM SERIES 24" DEEP

| | |
|--|----------------|
| model # (specify drainboard location) | overall length |
| <input type="checkbox"/> NCWS-3-48(L or R) | 48" |
| <input type="checkbox"/> NCWS-3-54(L or R) | 54" |
| <input type="checkbox"/> NCWS-3-60(L or R) | 60" |
| <input type="checkbox"/> NCWS-3-66(L or R) | 66" |
| <input type="checkbox"/> NCWS-3-72(L or R) | 72" |

STANDARD FEATURES

- 18 gauge #304 stainless
- Heavy duty stainless gussets, legs, adj. feet & support channels
- Bullnose front design
- Seamless tops, drainboards pitched to sinks
- Sound insulation undercoating
- Stainless steel drains, over flow pipes & low lead certified faucet
- 10" x 14" x 10" stainless steel sink bowls
- 6" High back splash
- Pitched corrugated drainboard
- 1 1/2" drain connection

OPTIONAL FEATURES

| model # | description |
|---|-----------------------------|
| <input type="checkbox"/> CF (low lead certified) | Chicago faucet upg. |
| <input type="checkbox"/> SF (low lead certified) | stainless steel faucet upg. |
| <input type="checkbox"/> BS | bottom shelf |
| <input type="checkbox"/> CB | cabinet base |
| <input type="checkbox"/> APR (removable) | hinged apron frnt pnl |
| <input type="checkbox"/> DR (used w/ -CB) | door |
| <input type="checkbox"/> DB | dump basket |
| <input type="checkbox"/> TB | towel bar |
| <input type="checkbox"/> SD | soap dispenser |
| <input type="checkbox"/> TD | towel dispenser |
| <input type="checkbox"/> M | modified size |
| <input type="checkbox"/> SP_ (4", 8", 10", 12") | high splash upg. |
| <input type="checkbox"/> CBS (specify size) | custom bowl size |
| <input type="checkbox"/> AS (instead of galv. lower back) | all stainless st. upg. |
| <input type="checkbox"/> SSF_ (L-left, R-right, B-both) | side splash add on |

*see options section for more details



NATIONAL BAR SYSTEMS

Phone: (714) 848-1688

16571 Burke Lane Huntington Beach, CA 92647

Fax: (714) 848-2788

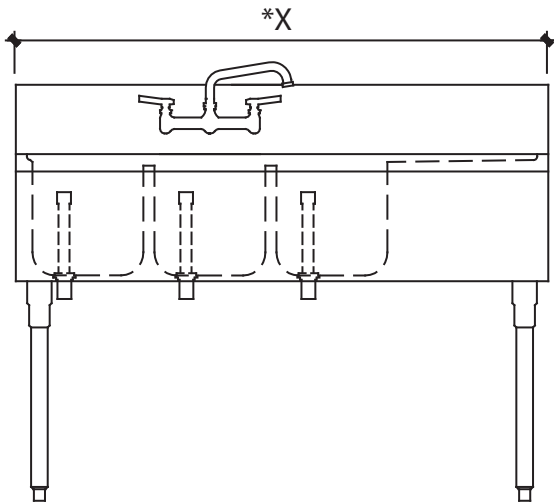
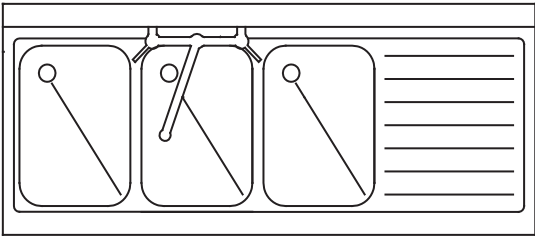
Website: www.nbsmfg.com



3-COMPARTMENT SINKS W/ DRAINBOARD

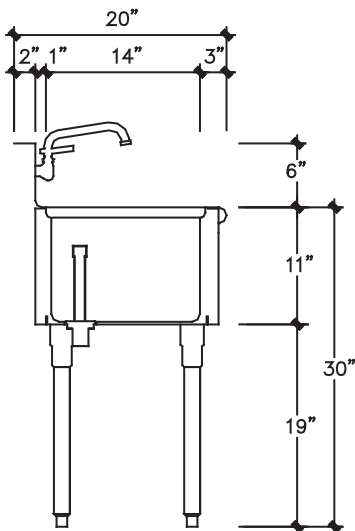
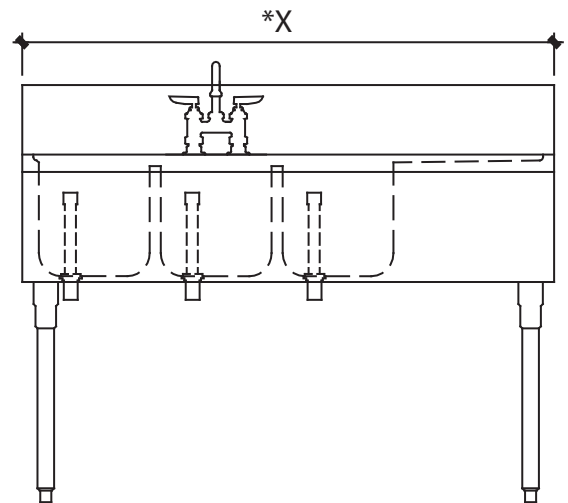
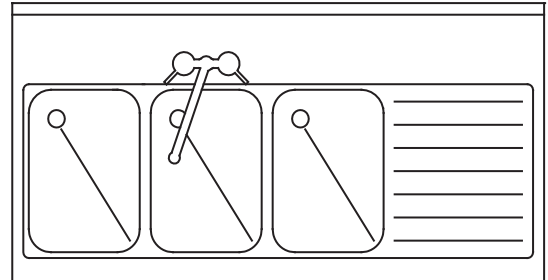
PRO-LINE

model shown:
NPWS-3-*X(R)



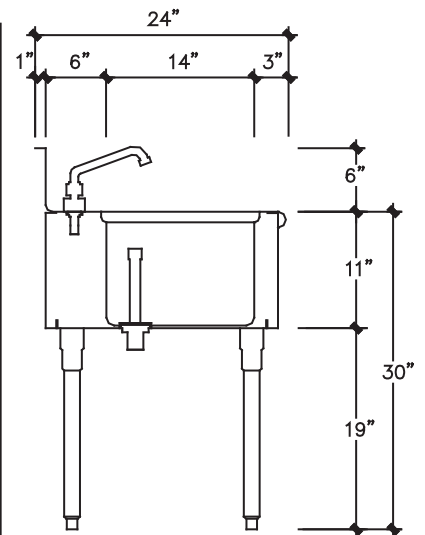
CUSTOM

model shown:
NCWS-3-*X(R)



TECHNICAL DATA

| model # | drainboard length | overall length *X | shipping weight (lbs.) |
|-------------------|-------------------|-------------------|------------------------|
| NPWS-3-48(L or R) | 12" | 48" | 75 |
| NPWS-3-54(L or R) | 18" | 54" | 80 |
| NPWS-3-60(L or R) | 24" | 60" | 85 |
| NPWS-3-66(L or R) | 30" | 66" | 90 |
| NPWS-3-72(L or R) | 36" | 72" | 95 |
| NCWS-3-48(L or R) | 12" | 48" | 80 |
| NCWS-3-54(L or R) | 18" | 54" | 85 |
| NCWS-3-60(L or R) | 24" | 60" | 90 |
| NCWS-3-66(L or R) | 30" | 66" | 95 |
| NCWS-3-72(L or R) | 36" | 72" | 100 |



SECTION (PRO-LINE)

SECTION (CUSTOM)

NATIONAL BAR SYSTEMS

Phone: (714) 848-1688

16571 Burke Lane Huntington Beach, CA 92647

Fax: (714) 848-2788

Website: www.nbsmf.com