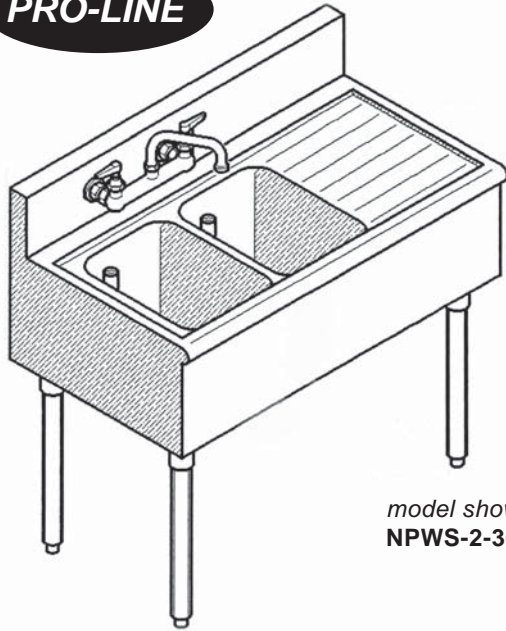
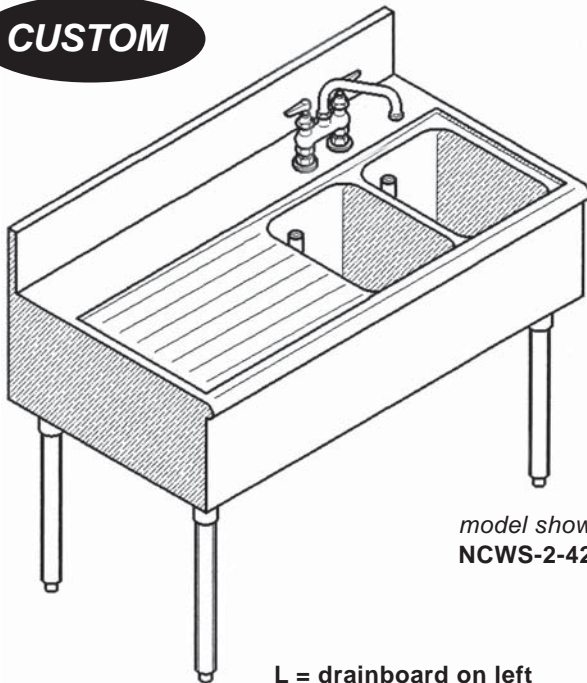


PRO-LINE



model shown:
NPWS-2-36R

CUSTOM



model shown:
NCWS-2-42L

L = drainboard on left
R = drainboard on right

SPECIFICATIONS

PLUMBING:

- 1/2" cold and hot connections
- 1-1/2" stainless steel drain connections

Project _____

Dealer _____

Item # _____ Quantity _____

PRO-LINE SERIES 20" DEEP

model # (specify drainboard location)	overall length
<input type="checkbox"/> NPWS-2-36(L or R)	36"
<input type="checkbox"/> NPWS-2-42(L or R)	42"
<input type="checkbox"/> NPWS-2-48(L or R)	48"
<input type="checkbox"/> NPWS-2-54(L or R)	54"
<input type="checkbox"/> NPWS-2-60(L or R)	60"

CUSTOM SERIES 24" DEEP

model # (specify drainboard location)	overall length
<input type="checkbox"/> NCWS-2-36(L or R)	36"
<input type="checkbox"/> NCWS-2-42(L or R)	42"
<input type="checkbox"/> NCWS-2-48(L or R)	48"
<input type="checkbox"/> NCWS-2-54(L or R)	54"
<input type="checkbox"/> NCWS-2-60(L or R)	60"

STANDARD FEATURES

- 18 gauge #304 stainless
- Heavy duty stainless gussets, legs, adj. feet & support channels
- Bullnose front design
- Seamless tops, drainboards pitched to sinks
- Sound insulation undercoating
- Stainless steel drains, over flow pipes & low lead certified faucet
- 10" x 14" x 10" stainless steel sink bowls
- 6" High back splash
- Pitched corrugated drainboard
- 1 1/2" drain connection

OPTIONAL FEATURES

model #	description
<input type="checkbox"/> CF (low lead certified)	Chicago faucet upg.
<input type="checkbox"/> SF (low lead certified)	stainless steel faucet upg.
<input type="checkbox"/> BS	bottom shelf
<input type="checkbox"/> CB	cabinet base
<input type="checkbox"/> APR (removable)	hinged apron frnt pnl
<input type="checkbox"/> DR (used w/ -CB)	door
<input type="checkbox"/> DB	dump basket
<input type="checkbox"/> TB	towel bar
<input type="checkbox"/> SD	soap dispenser
<input type="checkbox"/> TD	towel dispenser
<input type="checkbox"/> M	modified size
<input type="checkbox"/> SP_ (4", 8", 10", 12")	high splash upg.
<input type="checkbox"/> CBS (specify size)	custom bowl size
<input type="checkbox"/> AS (instead of galv. lower back)	all stainless st. upg.
<input type="checkbox"/> SSF_(L-left, R-right, B-both)	side splash add on

*see options section for more details

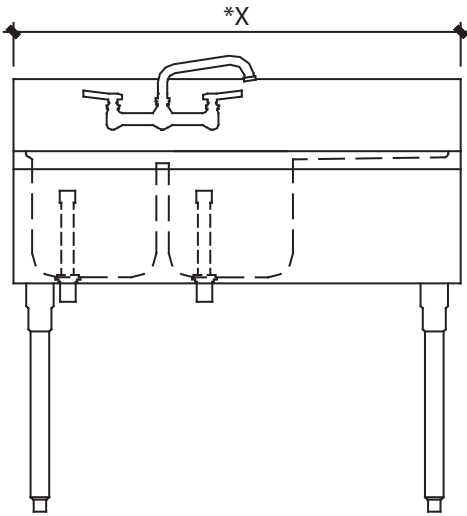
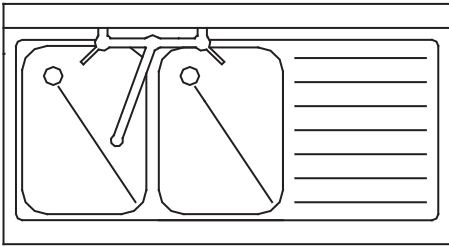




2-COMPARTMENT SINKS W/ DRAINBOARD

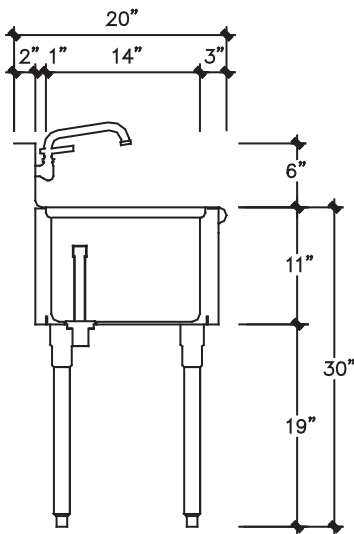
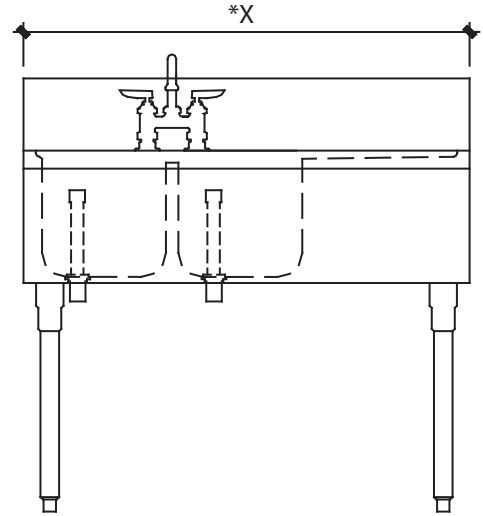
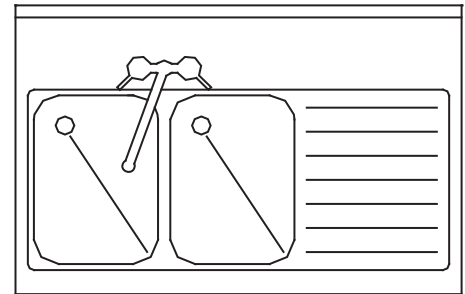
PRO-LINE

model shown:
NPWS-2-*X(R)



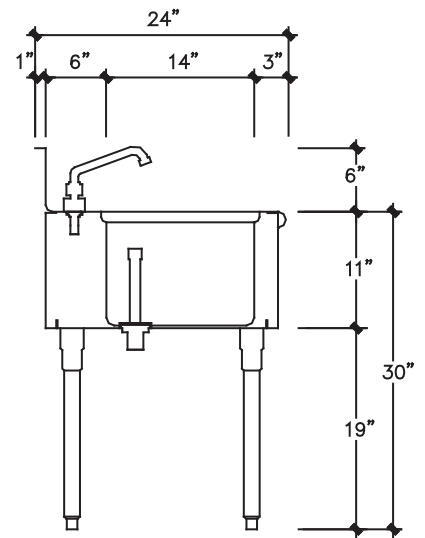
CUSTOM

model shown:
NCWS-2-*X(R)



TECHNICAL DATA

model #	drainboard length	overall length *X	shipping weight (lbs.)
NPWS-2-36(L or R)	12"	36"	70
NPWS-2-42(L or R)	18"	42"	75
NPWS-2-48(L or R)	24"	48"	80
NPWS-2-54(L or R)	30"	54"	85
NPWS-2-60(L or R)	36"	60"	90
NCWS-2-36(L or R)	12"	36"	75
NCWS-2-42(L or R)	18"	42"	80
NCWS-2-48(L or R)	24"	48"	85
NCWS-2-54(L or R)	30"	54"	90
NCWS-2-60(L or R)	36"	60"	95



SECTION (PRO-LINE)

SECTION (CUSTOM)

NATIONAL BAR SYSTEMS

16571 Burke Lane Huntington Beach, CA 92647

Phone: (714) 848-1688

Fax: (714) 848-2788

Website: www.nbsmf.com