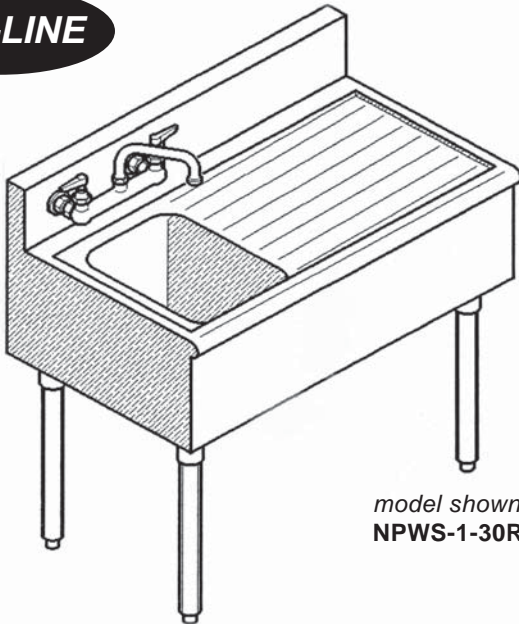


Project \_\_\_\_\_

Dealer \_\_\_\_\_

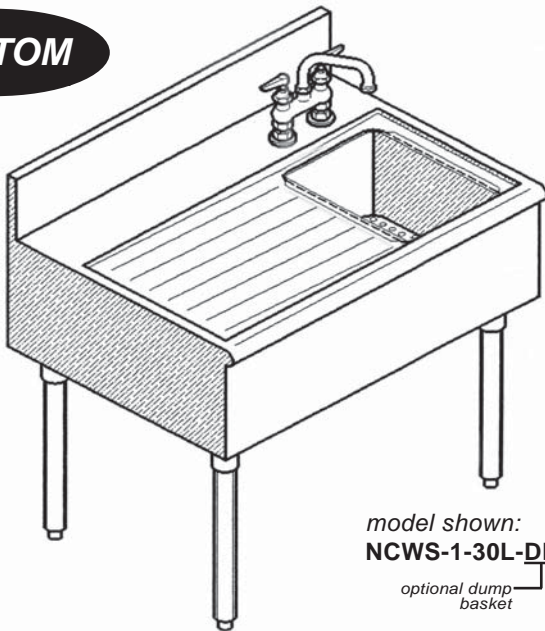
Item # \_\_\_\_\_ Quantity \_\_\_\_\_

## PRO-LINE



model shown:  
NPWS-1-30R

## CUSTOM



model shown:  
NCWS-1-30L-DB

optional dump  
basket

L = drainboard on left  
R = drainboard on right

## SPECIFICATIONS

### PLUMBING:

- 1/2" cold and hot connections
- 1-1/2" stainless steel drain connections

## PRO-LINE SERIES 20" DEEP

model # (specify drainboard location)	length
<input type="checkbox"/> NPWS-1-24(L or R)	24"
<input type="checkbox"/> NPWS-1-30(L or R)	30"
<input type="checkbox"/> NPWS-1-36(L or R)	36"
<input type="checkbox"/> NPWS-1-42(L or R)	42"
<input type="checkbox"/> NPWS-1-48(L or R)	48"

## CUSTOM SERIES 24" DEEP

model # (specify drainboard location)	length
<input type="checkbox"/> NCWS-1-24(L or R)	24"
<input type="checkbox"/> NCWS-1-30(L or R)	30"
<input type="checkbox"/> NCWS-1-36(L or R)	36"
<input type="checkbox"/> NCWS-1-42(L or R)	42"
<input type="checkbox"/> NCWS-1-48(L or R)	48"

## STANDARD FEATURES

- 18 gauge #304 stainless
- Heavy duty stainless gussets, legs, adj. feet & support channels
- Bullnose front design
- Seamless tops, drainboards pitched to sinks
- Sound insulation undercoating
- Stainless steel drains & low lead certified faucet
- 10" x 14" x 10" stainless steel sink bowls
- 6" High back splash
- Pitched corrugated drainboard
- 1 1/2" drain connection

## OPTIONAL FEATURES

model #	description
<input type="checkbox"/> CF (low lead certified)	Chicago faucet upg.
<input type="checkbox"/> SF (low lead certified)	stainless steel faucet upg.
<input type="checkbox"/> BS	bottom shelf
<input type="checkbox"/> CB	cabinet base
<input type="checkbox"/> APR (removable)	hinged apron frnt pnl
<input type="checkbox"/> DR (used w/ -CB)	door
<input type="checkbox"/> DB	dump basket
<input type="checkbox"/> TB	towel bar
<input type="checkbox"/> SD	soap dispenser
<input type="checkbox"/> TD	towel dispenser
<input type="checkbox"/> M	modified size
<input type="checkbox"/> SP__ (4", 8", 10", 12")	high splash upg.
<input type="checkbox"/> CBS (specify size)	custom bowl size
<input type="checkbox"/> AS (instead of galv. lower back)	all stainless st. upg.
<input type="checkbox"/> SSF__(L-left, R-right, B-both)	side splash add on

\*see options section for more details

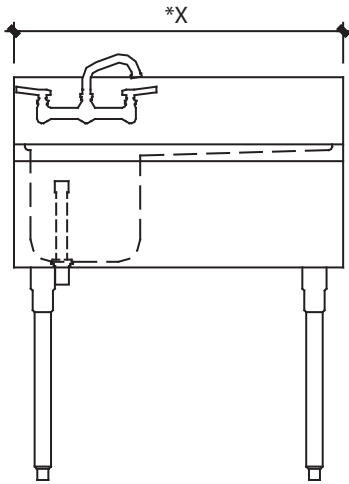
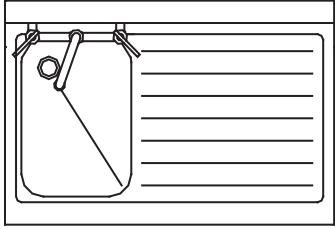




# 1-COMPARTMENT SINKS W/ DRAINBOARD

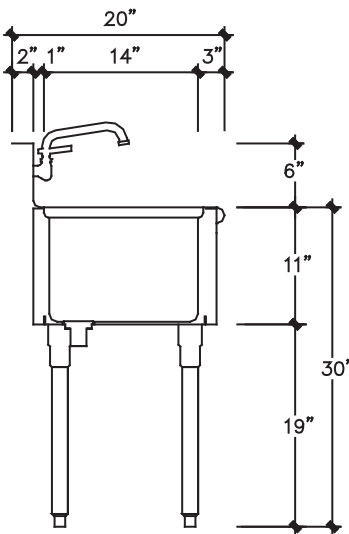
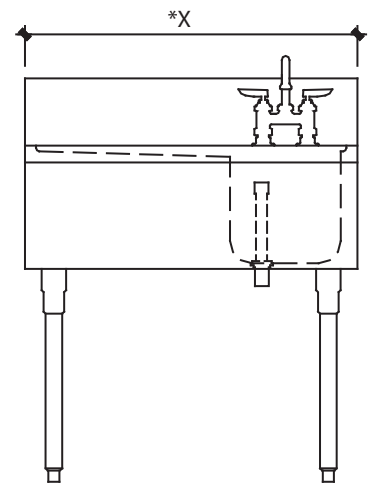
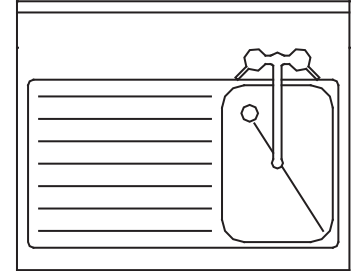
## PRO-LINE

model shown:  
NPWS-1-\*X(R)



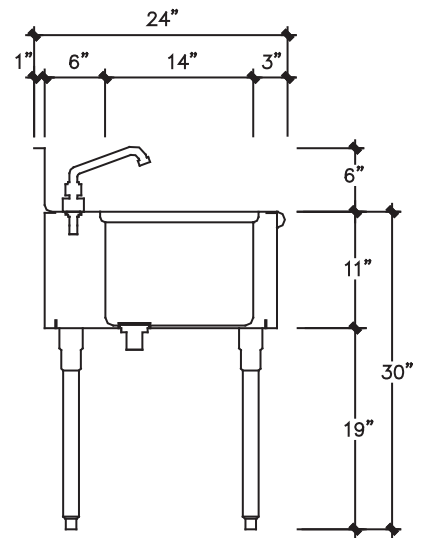
## CUSTOM

model shown:  
NCWS-1-\*X(L)



### TECHNICAL DATA

model #	drainboard length	overall length	shipping weight (lbs.)
NPWS-1-24(L or R)	12"	24"	60
NPWS-1-30(L or R)	18"	30"	65
NPWS-1-36(L or R)	24"	36"	70
NPWS-1-42(L or R)	30"	42"	75
NPWS-1-48(L or R)	36"	48"	80
NCWS-1-24(L or R)	12"	24"	85
NCWS-1-30(L or R)	18"	30"	90
NCWS-1-36(L or R)	24"	36"	95
NCWS-1-42(L or R)	30"	42"	100
NCWS-1-48(L or R)	36"	48"	105



### SECTION (PRO-LINE)

### SECTION (CUSTOM)

NATIONAL BAR SYSTEMS

16571 Burke Lane Huntington Beach, CA 92647

Phone: (714) 848-1688

Fax: (714) 848-2788

Website: [www.nbsmf.com](http://www.nbsmf.com)