



2 & 3 COMPARTMENT WASH SINKS

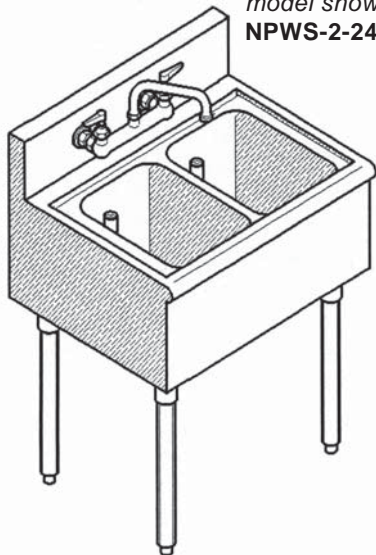
Project _____

Dealer _____

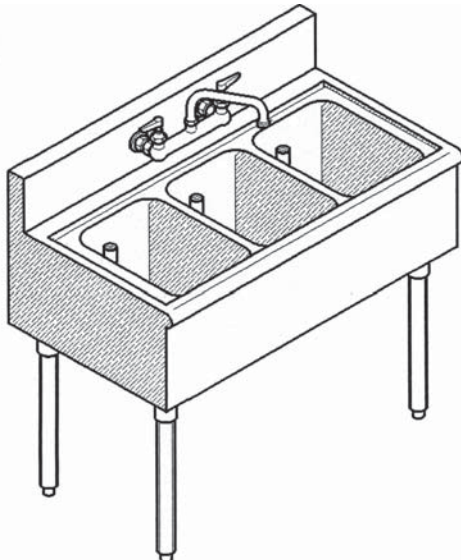
Item # _____ Quantity _____

PRO-LINE

model shown:
NPWS-2-24



model shown:
NPWS-3-36



PRO-LINE SERIES 20" DEEP

model # (for different sizes call) length

- NPWS-2-24.....24"
- NPWS-3-36.....36"

CUSTOM SERIES 24" DEEP

model # (for different sizes call) length

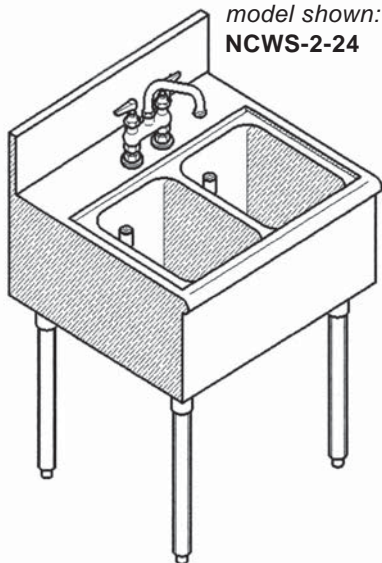
- NCWS-2-24.....24"
- NCWS-3-36.....36"

STANDARD FEATURES

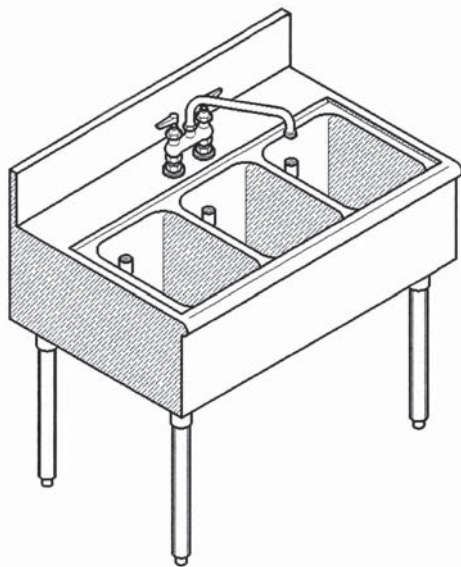
- 18 gauge #304 stainless
- Heavy duty stainless gussets, legs, adj. feet & support channels
- Bullnose front design
- Seamless tops, drainboards pitched to sinks
- Sound insulation undercoating
- Stainless steel drains, over flow pipes & low lead certified faucet
- 10" x 14" x 10" stainless steel sink bowls
- 6" High back splash

CUSTOM

model shown:
NCWS-2-24



model shown:
NCWS-3-36



OPTIONAL FEATURES

- | model # | description |
|--|-----------------------------|
| <input type="checkbox"/> CF (low lead certified)..... | Chicago faucet upg. |
| <input type="checkbox"/> SF (low lead certified)..... | stainless steel faucet upg. |
| <input type="checkbox"/> BS | bottom shelf |
| <input type="checkbox"/> CB..... | cabinet base |
| <input type="checkbox"/> APR (removable)..... | hinged apron frnt pnl |
| <input type="checkbox"/> DR (used w/ -CB)..... | door |
| <input type="checkbox"/> DB..... | dump basket |
| <input type="checkbox"/> TB..... | towel bar |
| <input type="checkbox"/> SD..... | soap dispenser |
| <input type="checkbox"/> TD..... | towel dispenser |
| <input type="checkbox"/> M..... | modified size |
| <input type="checkbox"/> SP_ (4", 8", 10", 12")..... | high splash upg. |
| <input type="checkbox"/> CBS (specify size)..... | custom bowl size |
| <input type="checkbox"/> AS (instead of galv. lower back)..... | all stainless st. upg. |
| <input type="checkbox"/> SSF_ (L-left, R-right, B-both)..... | side splash add on |

*see options section for more details

SPECIFICATIONS

PLUMBING:

- 1/2" cold and hot connections
- 1-1/2" stainless steel drain connections



NATIONAL BAR SYSTEMS

Phone: (714) 848-1688

16571 Burke Lane Huntington Beach, CA 92647

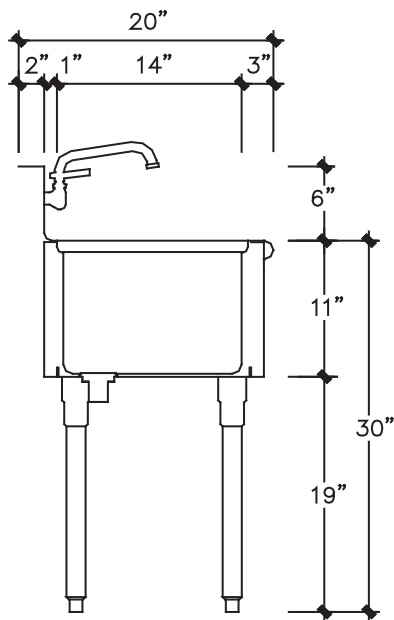
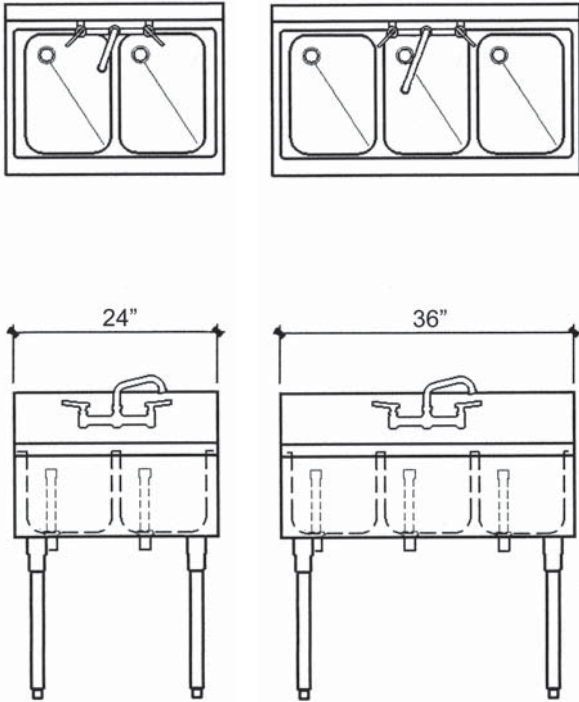
Fax: (714) 848-2788

Website: www.nbsmfg.com

PRO-LINE

model shown:
NPWS-2-24

model shown:
NPWS-3-36

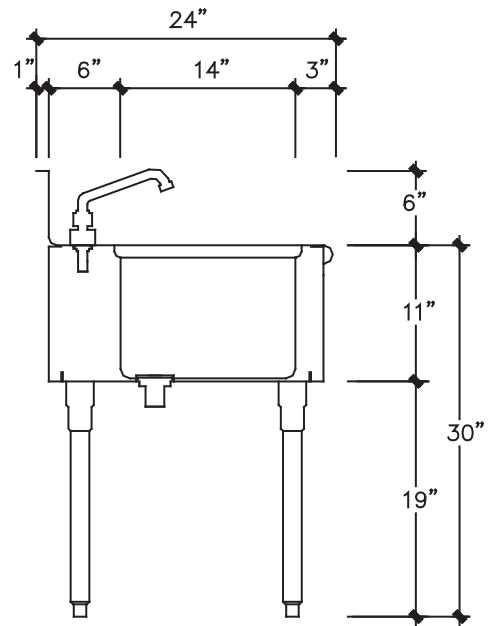
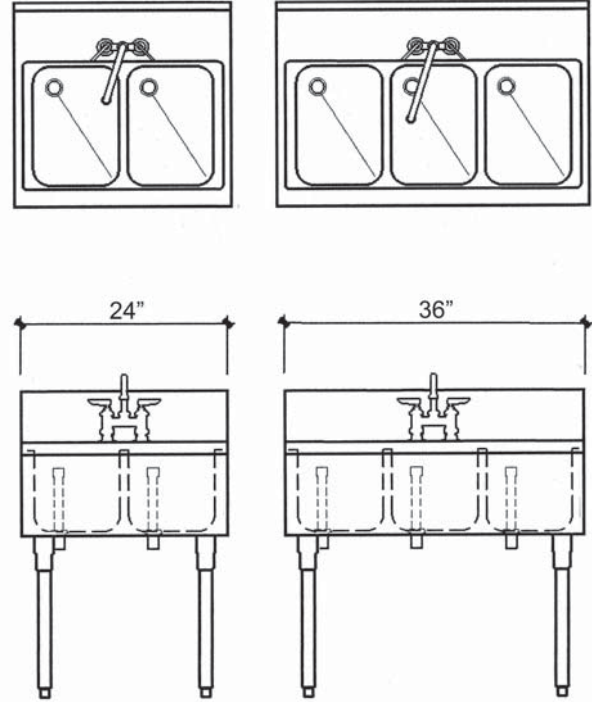


SECTION (PRO-LINE)

CUSTOM

model shown:
NCWS-2-24

model shown:
NCWS-3-36



SECTION (CUSTOM)

TECHNICAL DATA

model #	length	shipping weight (lbs.)
NPWS-2-24	24"	60
NPWS-3-36	36"	65
NCWS-2-24	24"	65
NCWS-3-36	36"	70