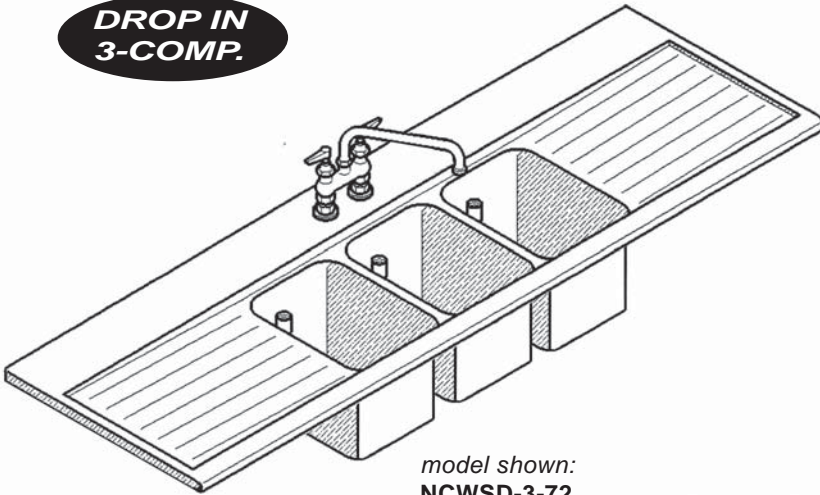


Project \_\_\_\_\_

Dealer \_\_\_\_\_

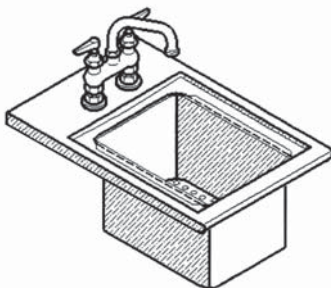
Item # \_\_\_\_\_ Quantity \_\_\_\_\_

**DROP IN 3-COMP.**



model shown:  
NCWSD-3-72

**DROP IN 1-COMP.**



model shown:  
NCWSD-1-13-DB  
optional dump basket

**DROP IN 3-COMPARTMENT**

model #	length
<input type="checkbox"/> NCWSD-3-60.....	60"
<input type="checkbox"/> NCWSD-3-66.....	66"
<input type="checkbox"/> NCWSD-3-72.....	72"
<input type="checkbox"/> NCWSD-3-78.....	78"
<input type="checkbox"/> NCWSD-3-84.....	84"

**DROP IN 1-COMPARTMENT**

model #	length
<input type="checkbox"/> NCWSD-1-12.....	12"
<input type="checkbox"/> NCWSD-1-13.....	13"
<input type="checkbox"/> NCWSD-1-15.....	15"
<input type="checkbox"/> NCWSD-1-18.....	18"

**STANDARD FEATURES**

- 18 gauge #304 stainless
- Seamless tops, drainboards pitched to sinks
- Sound insulation undercoating
- Stainless steel drains & low lead certified faucet
- 10" x 14" x 10" stainless steel sink bowls
- Pitched corrugated drainboard - for 3-comp sink
- 1 1/2" stainless steel drain connection
- Stainless steel over flow pipes included for 3-comp sink

**OPTIONAL FEATURES**

model #	description
<input type="checkbox"/> CF (low lead certified).....	Chicago faucet upg.
<input type="checkbox"/> SF (low lead certified).....	stainless steel faucet upg.
<input type="checkbox"/> BS.....	bottom shelf
<input type="checkbox"/> CB.....	cabinet base
<input type="checkbox"/> APR (removable).....	hinged apron frnt pnl
<input type="checkbox"/> DR (used w/ -CB).....	door
<input type="checkbox"/> DB.....	dump basket
<input type="checkbox"/> TB.....	towel bar
<input type="checkbox"/> SD.....	soap dispenser
<input type="checkbox"/> TD.....	towel dispenser
<input type="checkbox"/> M.....	modified size
<input type="checkbox"/> SP__ (4", 8", 10", 12").....	high splash upg.
<input type="checkbox"/> CBS (specify size).....	custom bowl size
<input type="checkbox"/> AS (instead of galv. lower back).....	all stainless st. upg.
<input type="checkbox"/> SSF__ (L-left, R-right, B-both).....	side splash add on

\*see options section for more details

**SPECIFICATIONS**

**PLUMBING:**

- 1/2" cold and hot connections
- 1-1/2" stainless steel drain connections

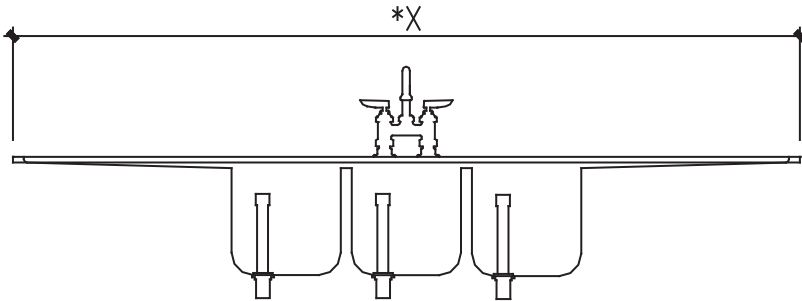
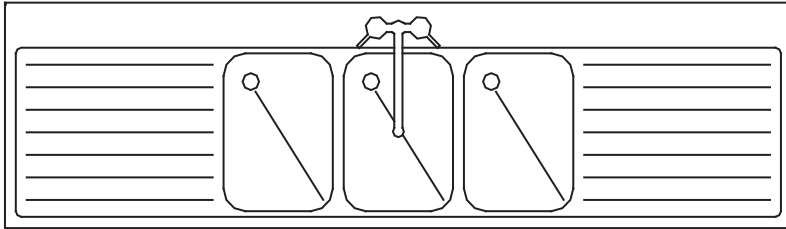




# DROP IN 3-COMP. & 1-COMP. SINKS

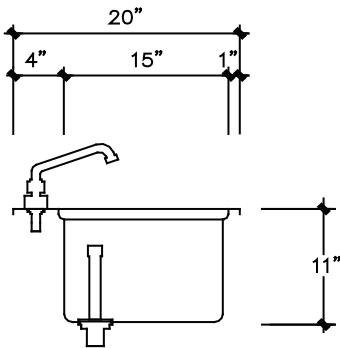
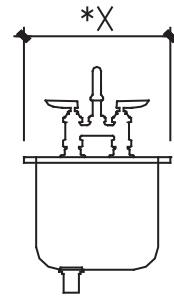
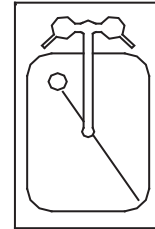
## DROP IN 3-COMP.

model shown:  
NCWSD-3-\*X



## DROP IN 1-COMP.

model shown:  
NCWSD-1-\*X



### TECHNICAL DATA

model #	length *x	shipping weight (lbs.)
<b>(3-comp. drop in)</b>		
NCWSD-3-60	60"	45
NCWSD-3-66	66"	50
NCWSD-3-72	72"	55
NCWSD-3-78	78"	60
NCWSD-3-84	84"	65
<b>(1-comp. drop in)</b>		
NCWSD-1-12	12"	15
NCWSD-1-13	13"	16
NCWSD-1-15	15"	18
NCWSD-1-18	18"	20

## SECTION

NATIONAL BAR SYSTEMS

Phone: (714) 848-1688

16571 Burke Lane Huntington Beach, CA 92647

Fax: (714) 848-2788

Website: [www.nbsmfg.com](http://www.nbsmfg.com)