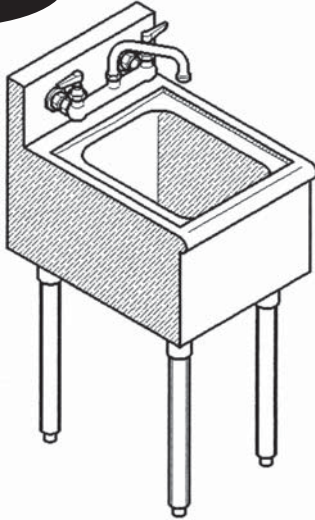


Project \_\_\_\_\_

Dealer \_\_\_\_\_

Item # \_\_\_\_\_ Quantity \_\_\_\_\_

## PRO-LINE



model shown:  
NPWS-1-15

### PRO-LINE SERIES 20" DEEP

model # (for different sizes call)	length
<input type="checkbox"/> NPWS-1-12.....	12"
<input type="checkbox"/> NPWS-1-13.....	13"
<input type="checkbox"/> NPWS-1-15.....	15"

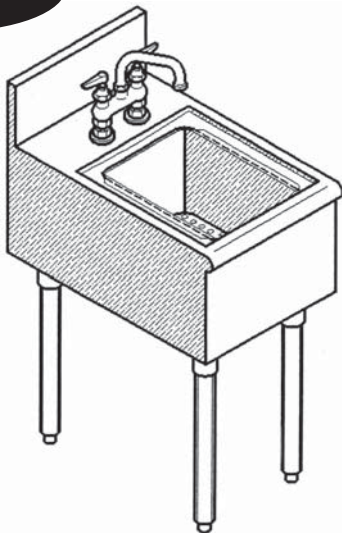
### CUSTOM SERIES 24" DEEP

model # (for different sizes call)	length
<input type="checkbox"/> NCWS-1-12.....	12"
<input type="checkbox"/> NCWS-1-13.....	13"
<input type="checkbox"/> NCWS-1-15.....	15"

### STANDARD FEATURES

- 18 gauge #304 stainless
- Heavy duty stainless gussets, legs, adj. feet & support channels
- Bullnose front design
- Seamless tops, drainboards pitched to sinks
- Sound insulation undercoating
- Stainless steel drains & low lead certified faucet
- 10" x 14" x 10" stainless steel sink bowls
- 6" High back splash

## CUSTOM



model shown:  
NCWS-1-15-DB  
optional dump basket

### OPTIONAL FEATURES

model #	description
<input type="checkbox"/> CF (low lead certified).....	Chicago faucet upg.
<input type="checkbox"/> SF (low lead certified).....	stainless steel faucet upg.
<input type="checkbox"/> BS.....	bottom shelf
<input type="checkbox"/> CB.....	cabinet base
<input type="checkbox"/> APR (removable).....	hinged apron front panel
<input type="checkbox"/> DR (used w/ -CB).....	door
<input type="checkbox"/> DB.....	dump basket
<input type="checkbox"/> TB.....	towel bar
<input type="checkbox"/> SD.....	soap dispenser
<input type="checkbox"/> TD.....	towel dispenser
<input type="checkbox"/> M.....	modified size
<input type="checkbox"/> SP__ (4", 8", 10", 12").....	high splash upg.
<input type="checkbox"/> CBS (specify size).....	custom bowl size
<input type="checkbox"/> AS (instead of galv. lower back).....	all stainless st. upg.
<input type="checkbox"/> SSF__(L-left, R-right, B-both).....	side splash add on

\*see options section for more details

### SPECIFICATIONS

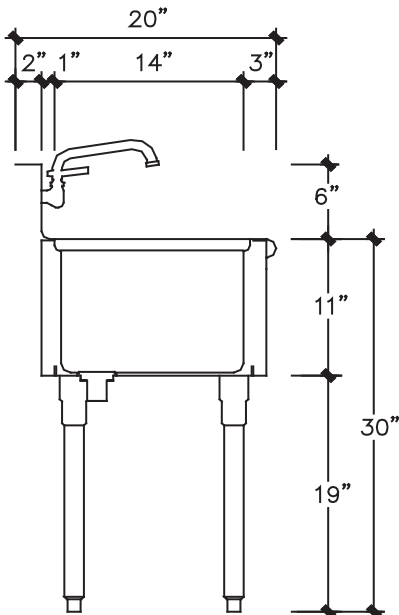
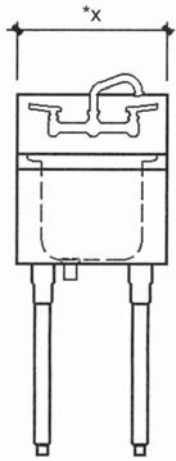
#### PLUMBING:

- 1/2" cold and hot connections
- 1-1/2" stainless steel drain connections



## PRO-LINE

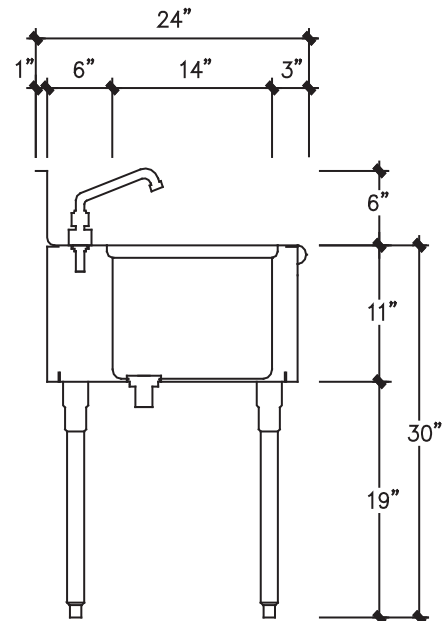
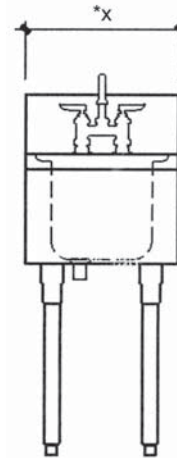
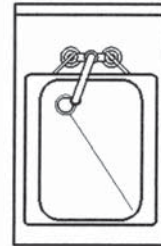
model shown:  
NPWS-1-\*X



### SECTION (PRO-LINE)

## CUSTOM

model shown:  
NCWS-1-\*X



### SECTION (CUSTOM)

### TECHNICAL DATA

model #	length *x	shipping weight (lbs.)
NPWS-1-12	12"	60
NPWS-1-13	13"	65
NPWS-1-15	15"	70
NCWS-1-12	12"	65
NCWS-1-13	13"	70
NCWS-1-15	15"	75