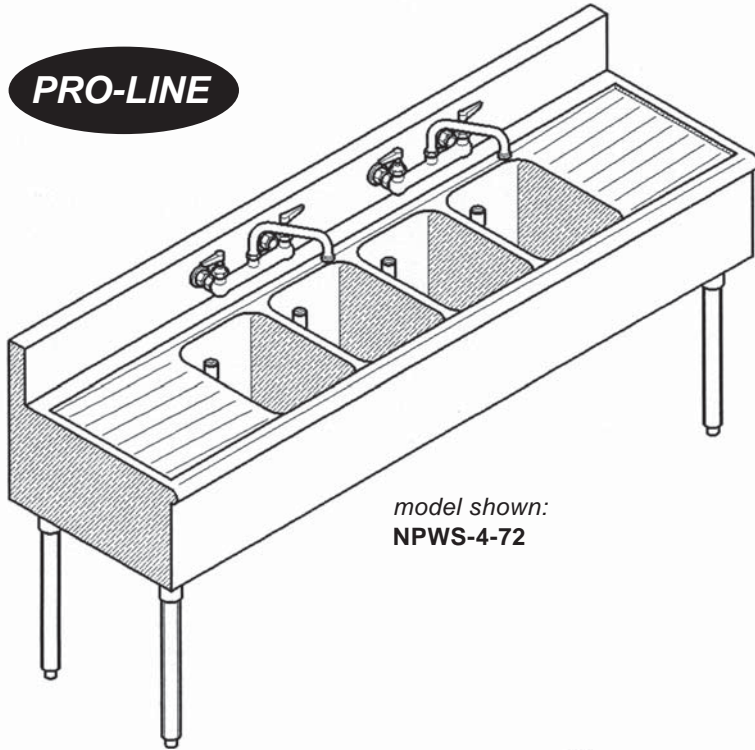
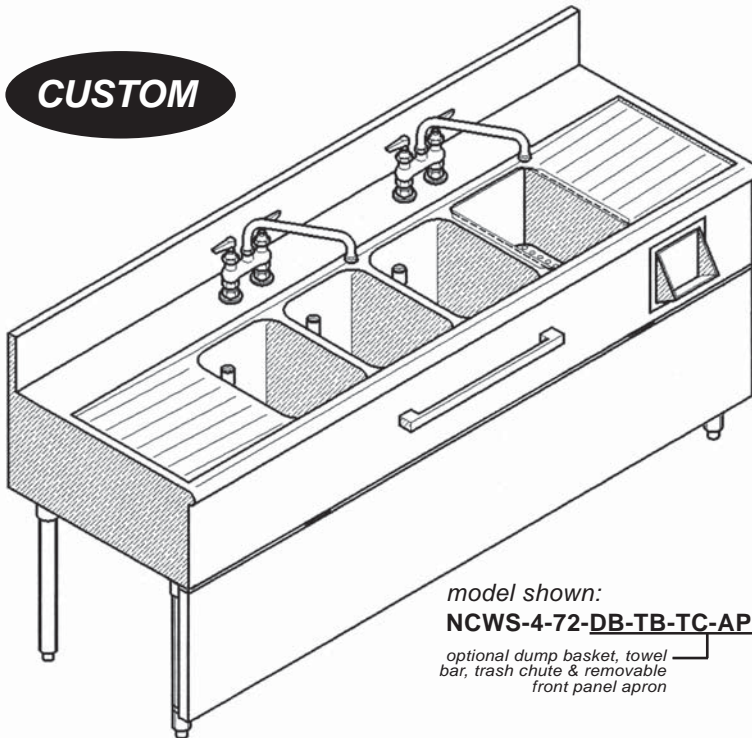


## PRO-LINE



model shown:  
NPWS-4-72

## CUSTOM



model shown:  
NCWS-4-72-DB-TB-TC-APR

optional dump basket, towel  
bar, trash chute & removable  
front panel apron

## SPECIFICATIONS

### PLUMBING:

- 1/2" cold and hot connections
- 1-1/2" stainless steel drain connections



Project \_\_\_\_\_

Dealer \_\_\_\_\_

Item # \_\_\_\_\_ Quantity \_\_\_\_\_

### PRO-LINE SERIES 20" DEEP

model # (for different sizes call)	length
<input type="checkbox"/> NPWS-4-72.....	72"
<input type="checkbox"/> NPWS-4-84.....	84"
<input type="checkbox"/> NPWS-4-96.....	96"
<input type="checkbox"/> NPWS-4-108.....	108"

### CUSTOM SERIES 24" DEEP

model # (for different sizes call)	length
<input type="checkbox"/> NCWS-4-72.....	72"
<input type="checkbox"/> NCWS-4-84.....	84"
<input type="checkbox"/> NCWS-4-96.....	96"
<input type="checkbox"/> NCWS-4-108.....	108"

### STANDARD FEATURES

- 18 gauge #304 stainless
- Heavy duty stainless gussets, legs, adj. feet & support channels
- Bullnose front design
- Seamless tops, drainboards pitched to sinks
- Sound insulation undercoating
- Stainless steel drains, over flow pipes & low lead certified faucets
- 10" x 14" x 10" stainless steel sink bowls
- 6" High back splash

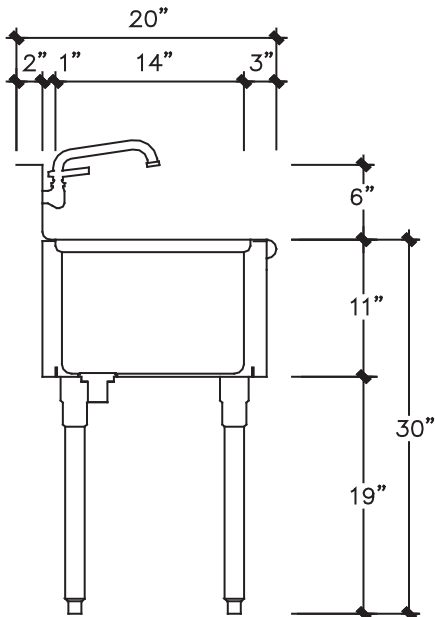
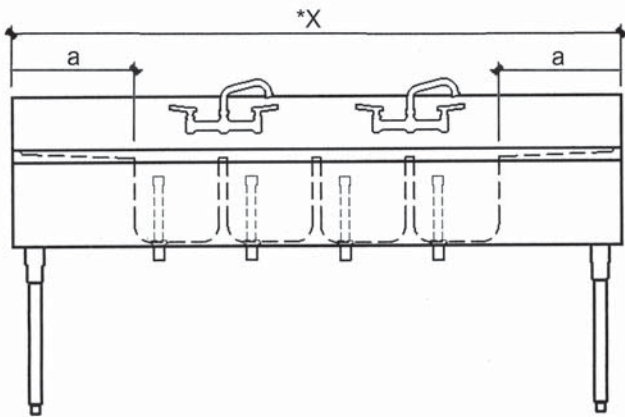
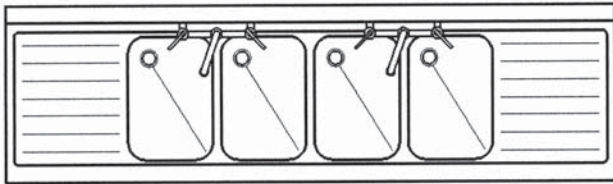
### OPTIONAL FEATURES

model #	description
<input type="checkbox"/> CF (low lead certified).....	Chicago faucet upg.
<input type="checkbox"/> SF (low lead certified).....	stainless steel faucet upg.
<input type="checkbox"/> BS.....	bottom shelf
<input type="checkbox"/> CB.....	cabinet base
<input type="checkbox"/> APR (removable).....	hinged apron frnt pnl
<input type="checkbox"/> DR (used w/ -CB).....	door
<input type="checkbox"/> DB.....	dump basket
<input type="checkbox"/> GR10.....	glass rack 10 x 20
<input type="checkbox"/> GR20.....	glass rack 20 x 20
	(min. 96" to have glass racks on both sides)
<input type="checkbox"/> M.....	modified size
<input type="checkbox"/> SU.....	sump strainer
<input type="checkbox"/> TB.....	towel bar
<input type="checkbox"/> TC.....	rubber trash chute
<input type="checkbox"/> TN__(L-left, R-right, B-both).....	notched apron
<input type="checkbox"/> SP__(4", 8", 10", 12").....	high splash upg.
<input type="checkbox"/> CBS (specify size).....	custom bowl size
<input type="checkbox"/> AS (instead of galv. lower back).....	all stainless st. upg.
<input type="checkbox"/> SSF__(L-left, R-right, B-both).....	side splash add on

\*see options section for more details

## PRO-LINE

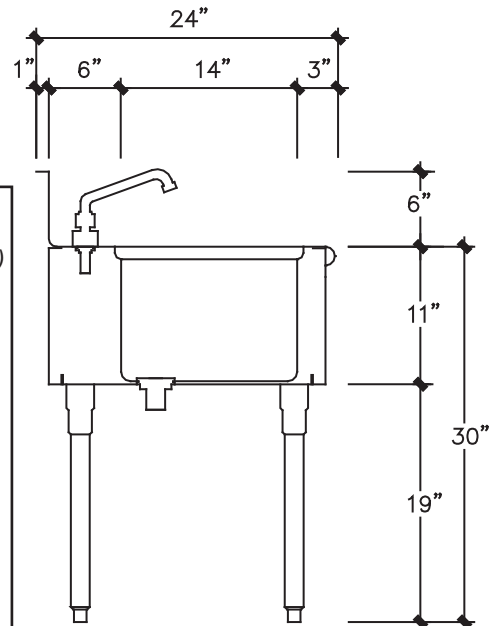
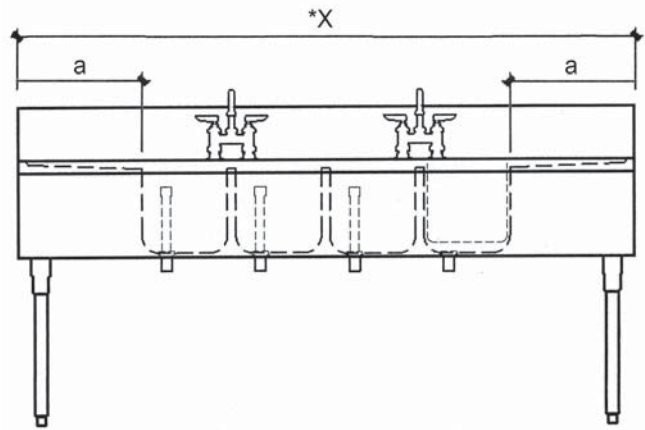
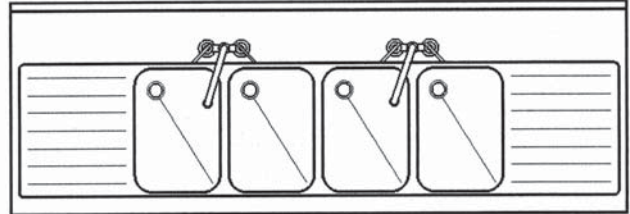
model shown:  
NPWS-4-\*X



**SECTION (PRO-LINE)**

## CUSTOM

model shown:  
NCWS-4-\*X



**SECTION (CUSTOM)**

### TECHNICAL DATA

model #	length *X	drain- board a	shipping weight (lbs.)
NPWS-4-72	72"	12"	140
NPWS-4-84	84"	18"	150
NPWS-4-96	96"	24"	160
NPWS-4-108	108"	30"	170
NCWS-4-72	72"	12"	140
NCWS-4-84	84"	18"	150
NCWS-4-96	96"	24"	160
NCWS-4-108	108"	30"	170