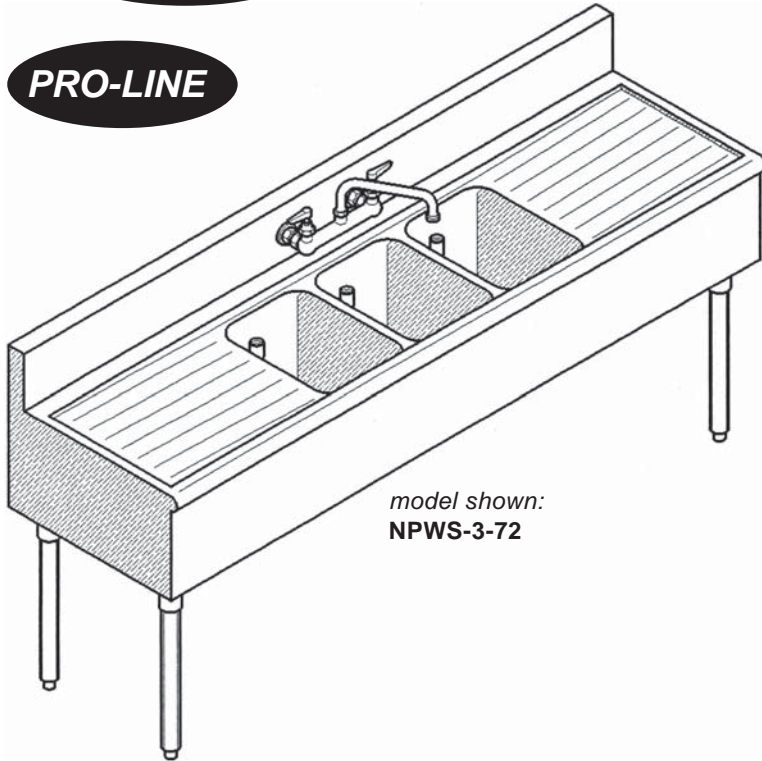
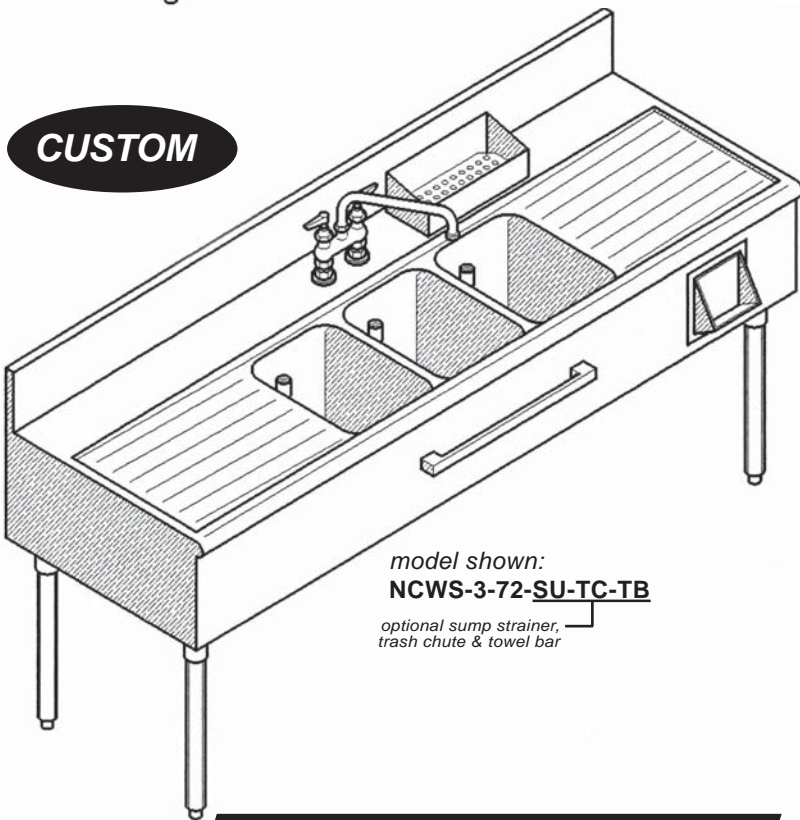


PRO-LINE



model shown:
NPWS-3-72

CUSTOM



model shown:
NCWS-3-72-SU-TC-TB

optional sump strainer,
trash chute & towel bar

SPECIFICATIONS

PLUMBING:

- 1/2" cold and hot connections
- 1-1/2" stainless steel drain connections

Project _____

Dealer _____

Item # _____ Quantity _____

PRO-LINE SERIES 20" DEEP

| model # (for different sizes call) | length |
|---|--------|
| <input type="checkbox"/> NPWS-3-60..... | 60" |
| <input type="checkbox"/> NPWS-3-72..... | 72" |
| <input type="checkbox"/> NPWS-3-84..... | 84" |
| <input type="checkbox"/> NPWS-3-96..... | 96" |

CUSTOM SERIES 24" DEEP

| model # (for different sizes call) | length |
|---|--------|
| <input type="checkbox"/> NCWS-3-60..... | 60" |
| <input type="checkbox"/> NCWS-3-72..... | 72" |
| <input type="checkbox"/> NCWS-3-84..... | 84" |
| <input type="checkbox"/> NCWS-3-96..... | 96" |

STANDARD FEATURES

- 18 gauge #304 stainless
- Heavy duty stainless gussets, legs, adj. feet & support channels
- Bullnose front design
- Seamless tops, drainboards pitched to sinks
- Sound insulation undercoating
- Stainless steel drains, over flow pipes & low lead certified faucet
- 10" x 14" x 10" stainless steel sink bowls
- 6" High back splash

OPTIONAL FEATURES

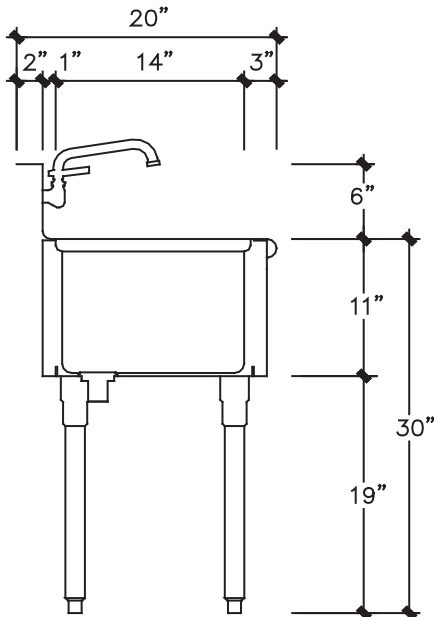
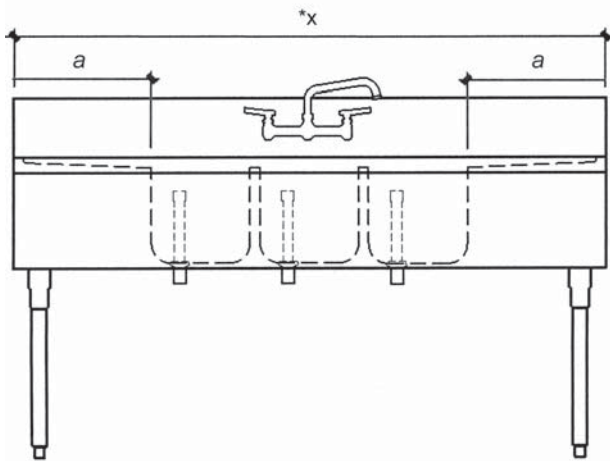
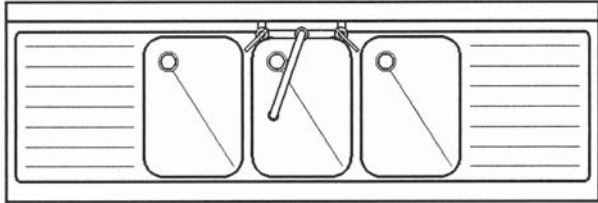
| model # | description |
|--|-----------------------------|
| <input type="checkbox"/> CF (low lead certified)..... | Chicago faucet upg. |
| <input type="checkbox"/> SF (low lead certified)..... | stainless steel faucet upg. |
| <input type="checkbox"/> BS..... | bottom shelf |
| <input type="checkbox"/> CB..... | cabinet base |
| <input type="checkbox"/> APR (removable)..... | hinged apron frnt pnl |
| <input type="checkbox"/> DR (used w/ -CB)..... | door |
| <input type="checkbox"/> DB..... | dump basket |
| <input type="checkbox"/> GR10..... | glass rack 10 x 20 |
| <input type="checkbox"/> GR20..... | glass rack 20 x 20 |
| (min. 84" to have glass racks on both sides) | |
| <input type="checkbox"/> M..... | modified size |
| <input type="checkbox"/> SU..... | sump strainer |
| <input type="checkbox"/> TB..... | towel bar |
| <input type="checkbox"/> TC..... | rubber trash chute |
| <input type="checkbox"/> TN__(L-left, R-right, B-both)..... | notched apron |
| <input type="checkbox"/> SP__(4", 8", 10", 12")..... | high splash upg. |
| <input type="checkbox"/> CBS (specify size)..... | custom bowl size |
| <input type="checkbox"/> AS (instead of galv. lower back)..... | all stainless st. upg. |
| <input type="checkbox"/> SSF__(L-left, R-right, B-both)..... | side splash add on |

*see options section for more details



PRO-LINE

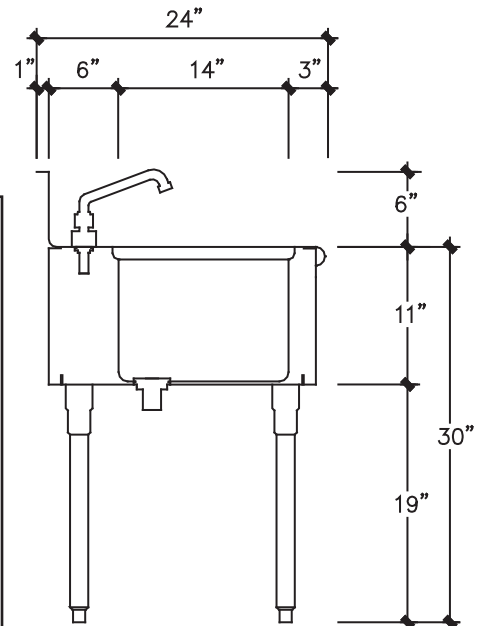
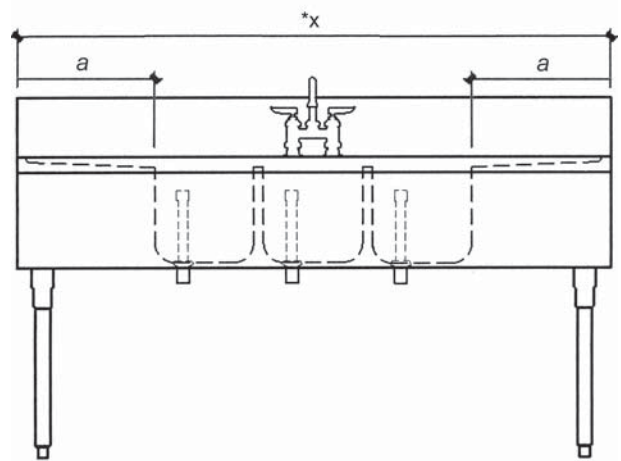
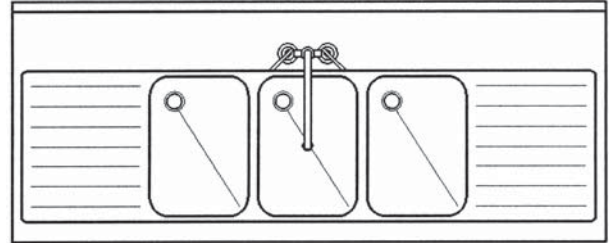
model shown:
NPWS-3-*X



SECTION (PRO-LINE)

CUSTOM

model shown:
NCWS-3-*X



SECTION (CUSTOM)

TECHNICAL DATA

| model # | length *X | drain- board a | shipping weight (lbs.) |
|-----------|--------------|----------------------|---------------------------|
| NPWS-3-60 | 60" | 12" | 120 |
| NPWS-3-72 | 72" | 18" | 130 |
| NPWS-3-84 | 84" | 24" | 140 |
| NPWS-3-96 | 96" | 30" | 150 |
| NCWS-3-60 | 60" | 12" | 120 |
| NCWS-3-72 | 72" | 18" | 130 |
| NCWS-3-84 | 84" | 24" | 140 |
| NCWS-3-96 | 96" | 30" | 150 |