



PASS-THRU COCKTAIL STATION "E"

Project _____

Dealer _____

Item # _____ Quantity _____

CUSTOM SERIES 24" DEEP

model # (for different sizes call) _____ length _____

NCCS-E-54.....54"



model shown:
NCCS-E-54-CP-DSR-BLS-DB

optional cold plate, double speed rail, blender shelf & dump basket

STANDARD FEATURES

- 18 gauge #304 stainless
- Heavy duty stainless gussets, legs, adj. feet & support channels
- Bullnose front design
- Seamless tops
- Sound insulation undercoating
- Foam insulated ice bins
- Stainless bottle well cans
- Bottle wells
- 10" Inside deep ice bin
- Low lead certified faucet

OPTIONAL FEATURES

| model # | description |
|--|-----------------------------|
| <input type="checkbox"/> CF (low lead certified)..... | Chicago faucet upg. |
| <input type="checkbox"/> SF (low lead certified)..... | stainless steel faucet upg. |
| <input type="checkbox"/> CB | cabinet base |
| <input type="checkbox"/> DB | dump basket |
| <input type="checkbox"/> APR (removable)..... | hinged apron frnt pnl |
| <input type="checkbox"/> DR (used w/ -CB)..... | doors |
| <input type="checkbox"/> SR | speed rail |
| <input type="checkbox"/> DSR | double speed rail |
| <input type="checkbox"/> FB | false bottom |
| <input type="checkbox"/> CP __ (8, 10 or 12 circuit)..... | cold plate add on |
| <input type="checkbox"/> EDP (incr.)..... | 12" inside deep bin |
| <input type="checkbox"/> SN | soda notch |
| <input type="checkbox"/> RC | removable cover |
| <input type="checkbox"/> ID | ice bin divider |
| <input type="checkbox"/> SR | speed rail |
| <input type="checkbox"/> DSR | double speed rail |
| <input type="checkbox"/> BLS | blender shelf add on |
| <input type="checkbox"/> M | modified size |

*see options section for more details

UPPER SHELVES (optional)

model # _____ length _____
(upper single shelves)

USS-54.....54"

(upper double shelves)

USD-54.....54"

SPECIFICATIONS

PLUMBING:

- 1 1/2" drain connection (sink bowl)
- 1" drain connection (w/o cold plates)
- 1/2" drain connection w/cold plate (8-circuit)
- 3/4" drain connection w/cold plate (10 or 12 circuit)



NATIONAL BAR SYSTEMS

16571 Burke Lane Huntington Beach, CA 92647

Phone: (714) 848-1688

Fax: (714) 848-2788

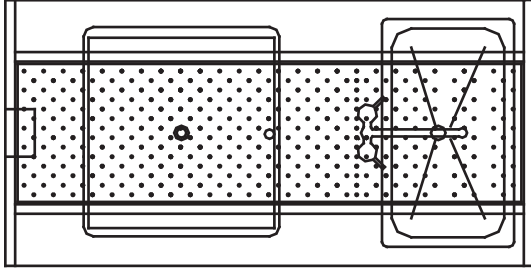
Website: www.nbsmfg.com



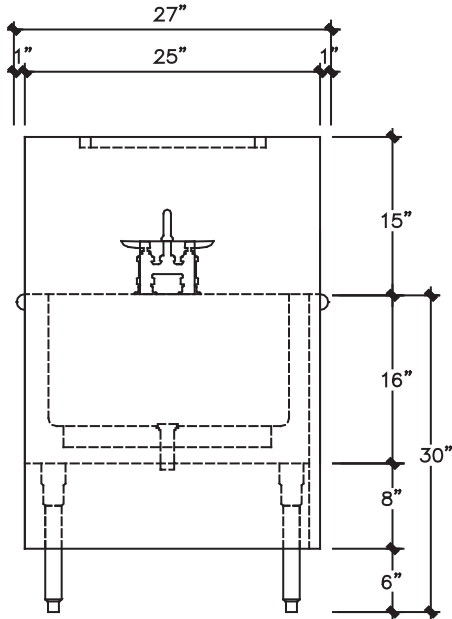
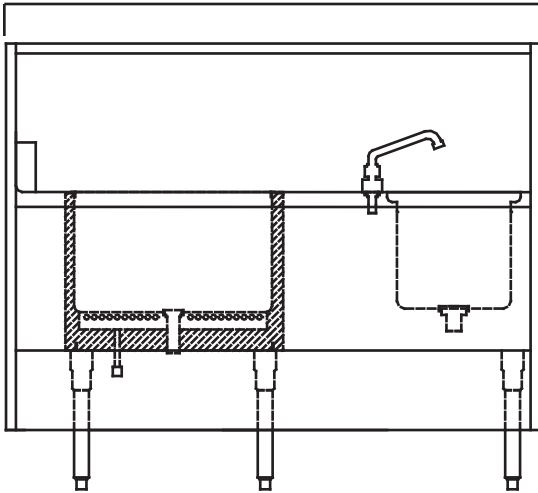
PASS-THRU COCKTAIL STATION "E"

model shown:

NCCS-E-54



54"



TECHNICAL DATA

| model # | shipping weight(lbs.) |
|-----------|-----------------------|
| NCCS-E-54 | 275 |

SECTION

NATIONAL BAR SYSTEMS

Phone: (714) 848-1688

16571 Burke Lane Huntington Beach, CA 92647

Fax: (714) 848-2788

Website: www.nbsmfg.com