



PASS-THRU COCKTAIL STATION "D"

Project _____

Dealer _____

Item # _____ Quantity _____



model shown:
NCCS-D-72-CP-SR-BLS
optional cold plate, speed rail & blender shelf

CUSTOM SERIES 24" DEEP

model # (for different sizes call)	length
<input type="checkbox"/> NCCS-D-42 (see reverse).....	42"
<input type="checkbox"/> NCCS-D-72	72"

STANDARD FEATURES

- 18 gauge #304 stainless
- Heavy duty stainless gussets, legs, adj. feet & support channels
- Bullnose front design
- Seamless tops
- Sound insulation undercoating
- Foam insulated ice bins
- Stainless bottle well cans
- Bottle wells
- Full ice bin width
- 10" Inside deep ice bin
- Low lead certified faucet

OPTIONAL FEATURES

model #	description
<input type="checkbox"/> CF (low lead certified).....	Chicago faucet upg.
<input type="checkbox"/> SF (low lead certified).....	stainless steel faucet upg.
<input type="checkbox"/> CB	cabinet base
<input type="checkbox"/> APR (removable).....	hinged apron frnt pnl
<input type="checkbox"/> DR (used w/ -CB).....	doors
<input type="checkbox"/> SR	speed rail
<input type="checkbox"/> DSR	double speed rail
<input type="checkbox"/> FB	false bottom
<input type="checkbox"/> CP _(8, 10 or 12 circuit).....	cold plate add on
<input type="checkbox"/> EDP (incr.).....	12" inside deep bin
<input type="checkbox"/> SN	soda notch
<input type="checkbox"/> RC	removable cover
<input type="checkbox"/> ID	ice bin divider
<input type="checkbox"/> SR	speed rail
<input type="checkbox"/> DSR	double speed rail
<input type="checkbox"/> BLS	blender shelf add on
<input type="checkbox"/> M	modified size

*see options section for more details

SPECIFICATIONS

PLUMBING:

- 1 1/2" drain connection (sink bowl)
- 1" drain connection (w/o cold plates)
- 1/2" drain connection w/cold plate (8-circuit)
- 3/4" drain connection w/cold plate (10 or 12 circuit)



UPPER SHELVES (optional)

model #	length
<i>(upper single shelves)</i>	
<input type="checkbox"/> USS-42	42"
<input type="checkbox"/> USS-72	72"
<i>(upper double shelves)</i>	
<input type="checkbox"/> USD-42	42"
<input type="checkbox"/> USD-72	72"



NATIONAL BAR SYSTEMS

Phone: (714) 848-1688

16571 Burke Lane Huntington Beach, CA 92647

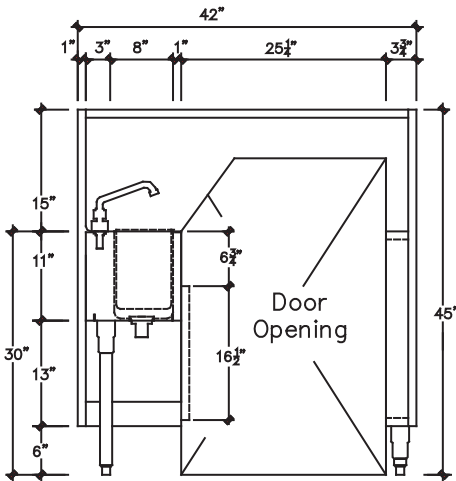
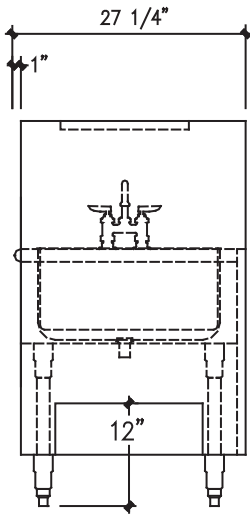
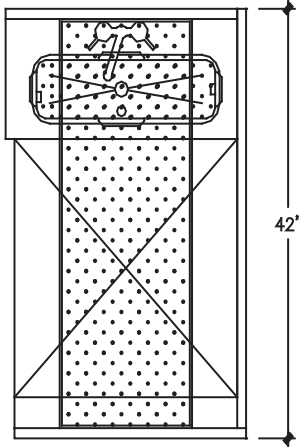
Fax: (714) 848-2788

Website: www.nbsmfg.com

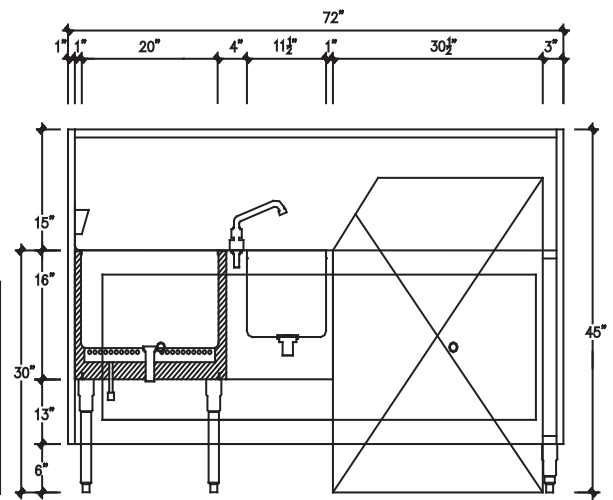
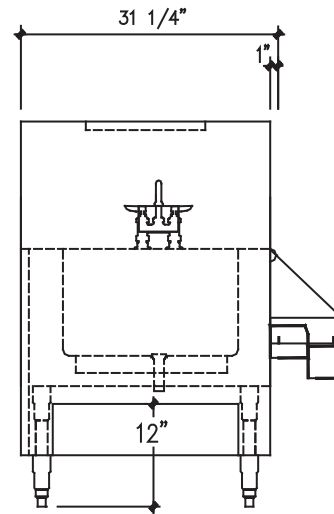
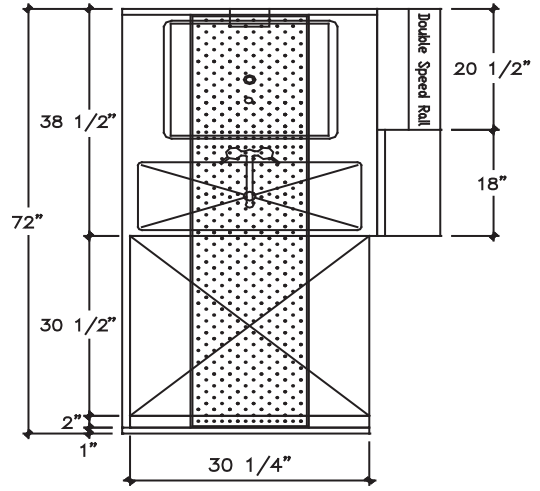


PASS-THRU COCKTAIL STATION "D"

model shown:
NCCS-D-42



model shown:
NCCS-D-72



TECHNICAL DATA

model #	length	shipping weight(lbs.)
NCCS-D-42	42"	175
NCCS-D-72	72"	210

SECTION

SECTION

NATIONAL BAR SYSTEMS

16571 Burke Lane Huntington Beach, CA 92647

Phone: (714) 848-1688

Fax: (714) 848-2788

Website: www.nbsmf.com