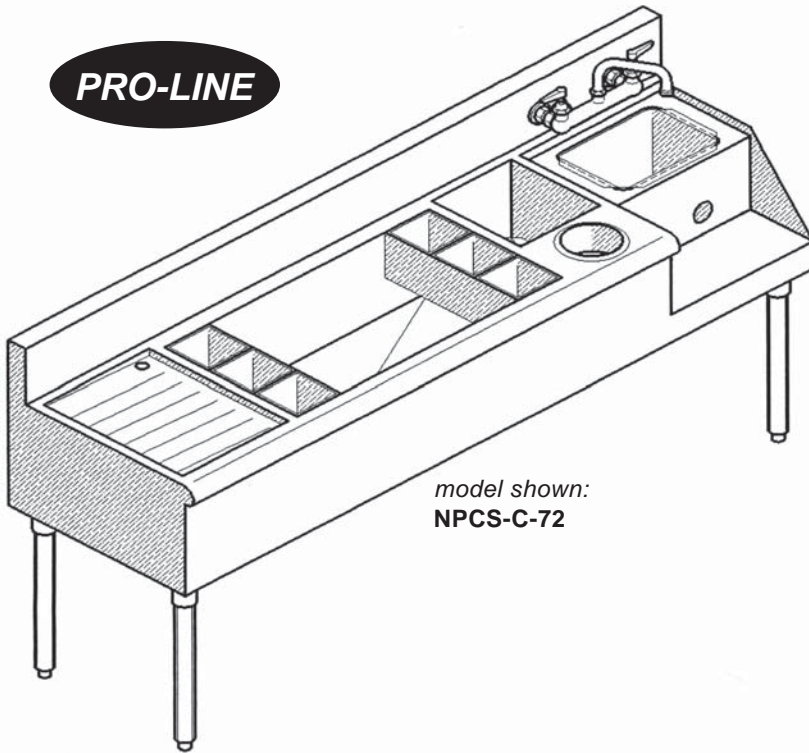


Project _____

Dealer _____

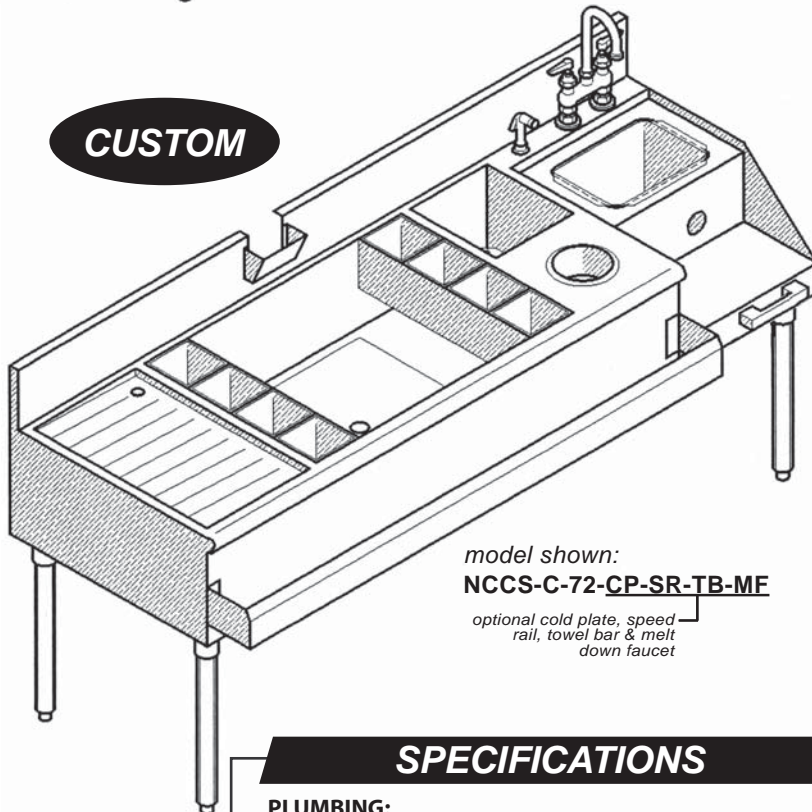
Item # _____ Quantity _____

PRO-LINE



model shown:
NPCS-C-72

CUSTOM



model shown:
NCCS-C-72-CP-SR-TB-MF

optional cold plate, speed rail, towel bar & melt down faucet

SPECIFICATIONS

PLUMBING:

- 1" drain connection (w/o cold plates)
- 1/2" drain connection w/cold plate (8-circuit)
- 3/4" drain connection w/cold plate (10 or 12 circuit)

PRO-LINE SERIES 20" DEEP

model (for different sizes call)	length
<input type="checkbox"/> NPCS-C-60.....	60"
<input type="checkbox"/> NPCS-C-72.....	72"
<input type="checkbox"/> NPCS-C-84.....	84"

CUSTOM SERIES 24" DEEP

model (for different sizes call)	length
<input type="checkbox"/> NCCS-C-60.....	60"
<input type="checkbox"/> NCCS-C-72.....	72"
<input type="checkbox"/> NCCS-C-84.....	84"

CREATE YOUR OWN DESIGN

NCCSC-C- - - - (other options)

Pro-Line or Custom:
P or C

Drainboard Size:
6, 12, 18, 24, 30 (inches)

Dump Sink Size:
9, 12, 15, 18, 21, 24 (inches)

Ice Bin Size:
9, 12, 15, 18, 21, 24 (inches)

Jockey Box Size:
24, 30, 36, 42, 48, 54 (inches)

STANDARD FEATURES

- 18 gauge 304 stainless
- Heavy duty stainless gussets, legs, adj. feet & support channels
- Bullnose front design
- Seamless tops, pitched drainboard
- Sound insulation undercoating
- Low lead certified faucet (1/2" cold & hot connect.)
- 10" x 12" x 7" dump sink w/ dump basket
- Stainless bottle cans
- Bottle wells
- Stainless round waste chute
- Foam insulated ice bins
- 6" High back splash

OPTIONAL FEATURES

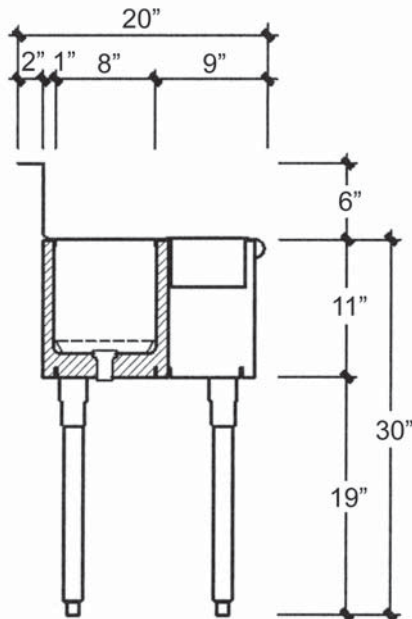
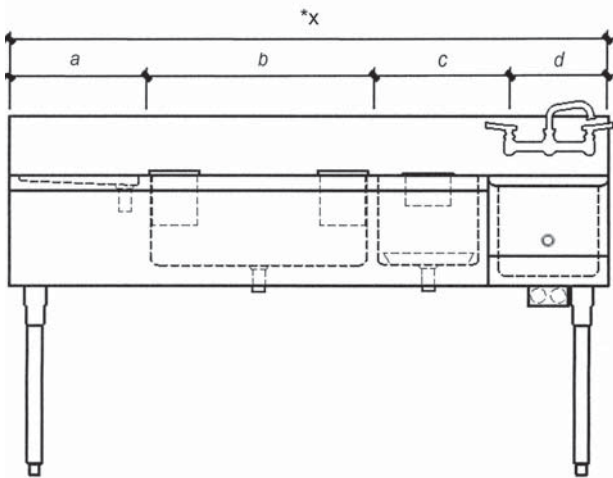
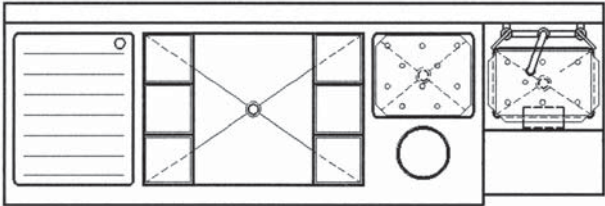
model #	description
<input type="checkbox"/> CF (low lead certified).....	Chicago faucet upg.
<input type="checkbox"/> SF (low lead certified).....	stainless steel faucet upg.
<input type="checkbox"/> CT.....	condiment tray
<input type="checkbox"/> CB.....	cabinet base
<input type="checkbox"/> APR (removable).....	hinged apron frnt pnl
<input type="checkbox"/> DR (used w/ -CB).....	door
<input type="checkbox"/> SR.....	speed rail
<input type="checkbox"/> DSR.....	double speed rail
<input type="checkbox"/> FB.....	false bottom
<input type="checkbox"/> CP_(8, 10, or 12 circuit).....	cold plate add on
<input type="checkbox"/> BC.....	beer chase
<input type="checkbox"/> SN.....	soda notch
<input type="checkbox"/> RC.....	removable cover
<input type="checkbox"/> ID.....	ice bin divider
<input type="checkbox"/> TB.....	towel bar
<input type="checkbox"/> BS.....	bottom shelf
<input type="checkbox"/> MF.....	melt-down faucet
<input type="checkbox"/> MV (used-MF).....	mixing valve
<input type="checkbox"/> SP_(4", 8", 10", 12").....	high splash
<input type="checkbox"/> SS_(L-left, R-right, B-both).....	side splash add on
<input type="checkbox"/> M.....	modified sizes
<input type="checkbox"/> AS (instead of galv. lower back).....	all stainless st. upg.

*see options section for more details



PRO-LINE

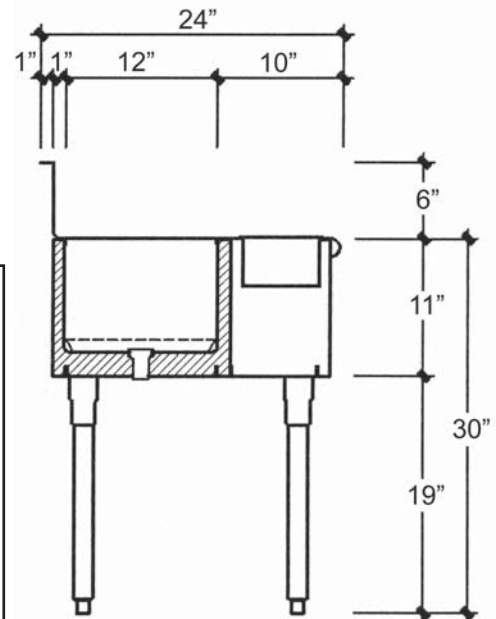
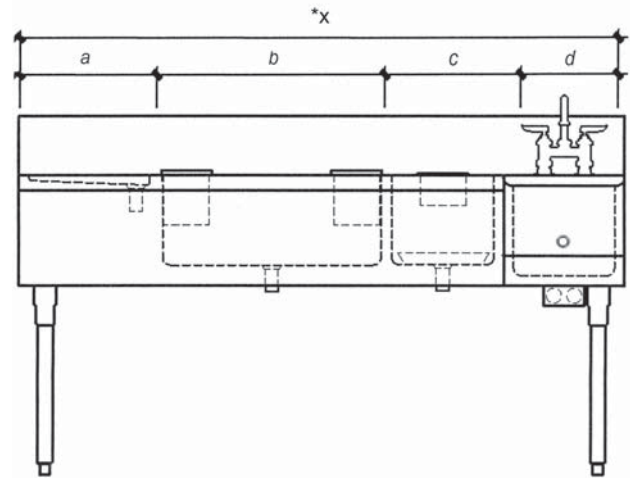
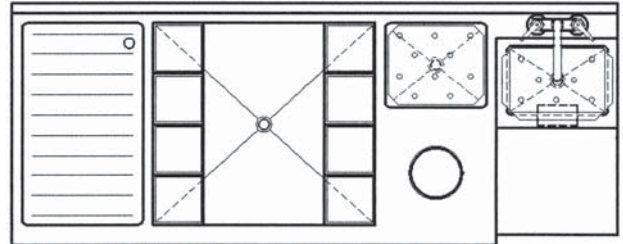
model shown:
NPCS-C-*X



SECTION (PRO-LINE)

CUSTOM

model shown:
NCCS-C-*X



SECTION (CUSTOM)

TECHNICAL DATA

model #	length(in.)				shipping weight(lbs.)
	a	b	c	d	
NPCS-C-60	15	24	9	12	160
NPCS-C-72	18	30	9	15	180
NPCS-C-84	24	36	9	15	200
NCCS-C-60	15	24	9	12	170
NCCS-C-72	18	30	9	15	190
NCCS-C-84	24	36	9	15	210