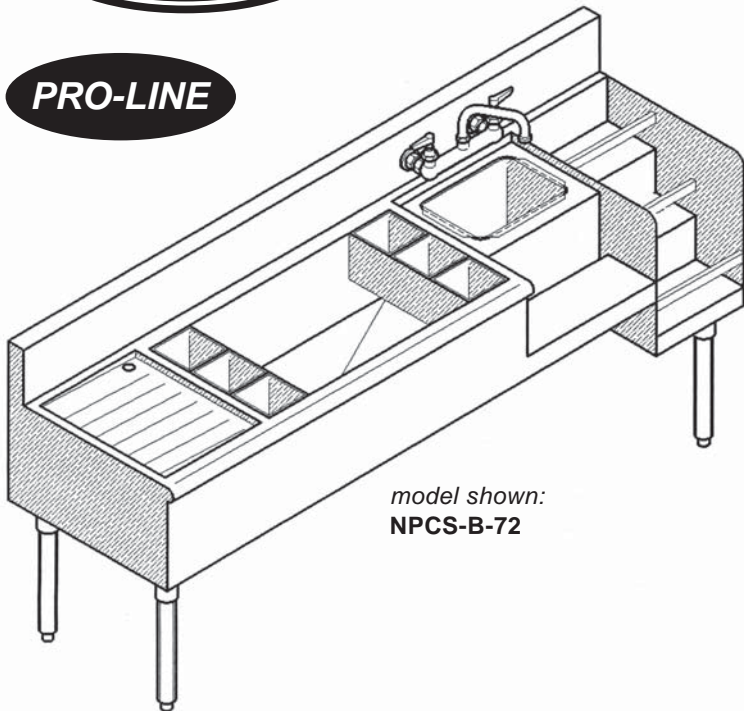




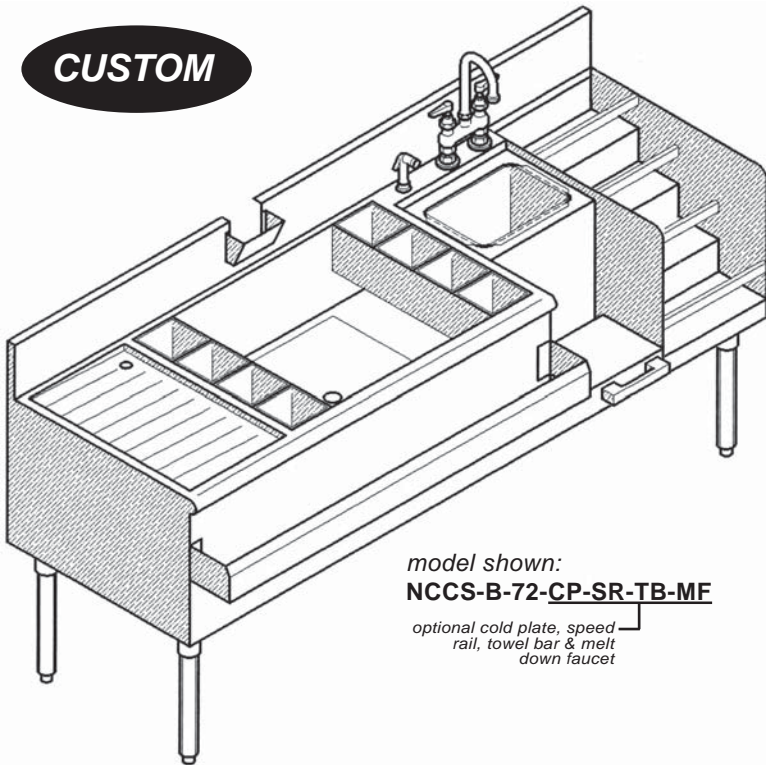
COCKTAIL STATIONS "B"

PRO-LINE



model shown:
NPCS-B-72

CUSTOM



model shown:
NCCS-B-72-CP-SR-TB-MF

optional cold plate, speed rail, towel bar & melt down faucet

SPECIFICATIONS

PLUMBING:

- 1" drain connection (w/o cold plates)
- 1/2" drain connection w/cold plate (8-circuit)
- 3/4" drain connection w/cold plate (10 or 12 circuit)



Project _____

Dealer _____

Item # _____ Quantity _____

PRO-LINE SERIES 20" DEEP

model # (for different sizes call)	length
<input type="checkbox"/> NPCS-B-60	60"
<input type="checkbox"/> NPCS-B-72	72"
<input type="checkbox"/> NPCS-B-84	84"
<input type="checkbox"/> NPCS-B-96	96"

CUSTOM SERIES 24" DEEP

model # (for different sizes call)	length
<input type="checkbox"/> NCCS-B-60	60"
<input type="checkbox"/> NCCS-B-72	72"
<input type="checkbox"/> NCCS-B-84	84"
<input type="checkbox"/> NCCS-B-96	96"

CREATE YOUR OWN DESIGN

NCCSC-B- - - - (other options)

Pro-Line or Custom:
P or C

Liquor Display Size:
12, 18, 24 (inches)

Drainboard Size:
6, 12, 18, 24, 30 (inches)

Dump Sink Size:
9, 12, 15, 18, 21, 24 (inches)

Jockey Box Size:
24, 30, 36, 42, 48, 54 (inches)

STANDARD FEATURES

- 18 gauge #304 stainless
- Heavy duty stainless gussets, legs, adj. feet & support channels
- Bullnose front design
- Seamless tops, pitched drainboard
- Sound insulation undercoating
- Low lead certified faucet (1/2" cold & hot connect.)
- Stainless bottle cans
- Bottle wells
- Foam insulated ice bins
- Step up display
- 6" High back splash

OPTIONAL FEATURES

model #	description
<input type="checkbox"/> CF (low lead certified)	Chicago faucet upg.
<input type="checkbox"/> SF (low lead certified)	stainless steel faucet upg.
<input type="checkbox"/> CT	condiment tray
<input type="checkbox"/> CB	cabinet base
<input type="checkbox"/> APR (removable)	hinged apron frnt pnl
<input type="checkbox"/> DR	door
<input type="checkbox"/> SR	speed rail
<input type="checkbox"/> DSR	double speed rail
<input type="checkbox"/> FB	false bottom
<input type="checkbox"/> CP (8, 10 or 12 circuit)	cold plate
<input type="checkbox"/> BC	beer chase
<input type="checkbox"/> SN	soda notch
<input type="checkbox"/> RC	removable cover
<input type="checkbox"/> ID	ice bin divider
<input type="checkbox"/> TB	towel bar
<input type="checkbox"/> BS	bottom shelf
<input type="checkbox"/> MF	melt-down faucet
<input type="checkbox"/> MV (used w/ -MF)	mixing valve
<input type="checkbox"/> SP (4", 8", 10", 12")	high splash
<input type="checkbox"/> SS (L-left, R-right, B-both)	side splash
<input type="checkbox"/> BRD	recessed drainboard
<input type="checkbox"/> M	modified size
<input type="checkbox"/> AS (instead of galv. lower back)	all stainless st. upg.

*see options section for more details

NATIONAL BAR SYSTEMS

16571 Burke Lane Huntington Beach, CA 92647

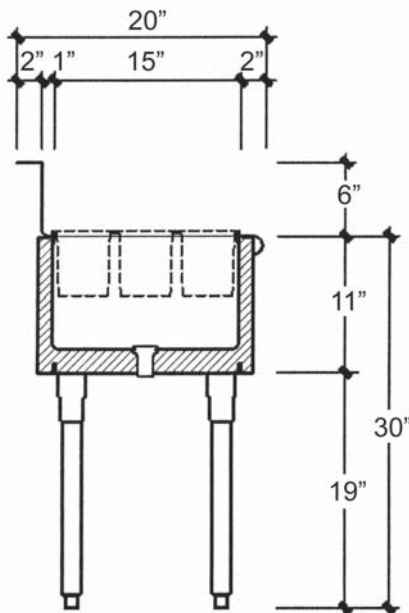
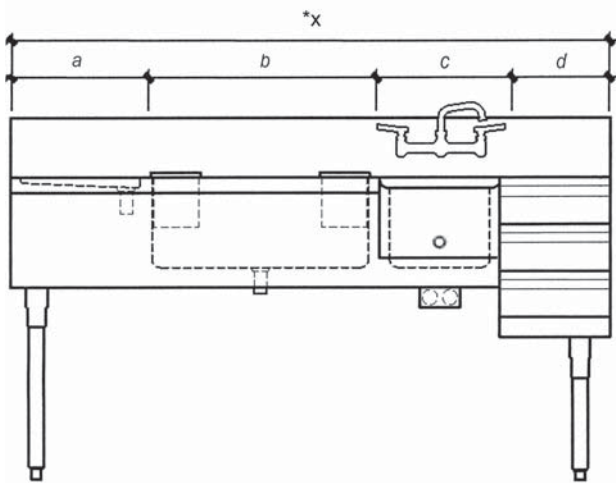
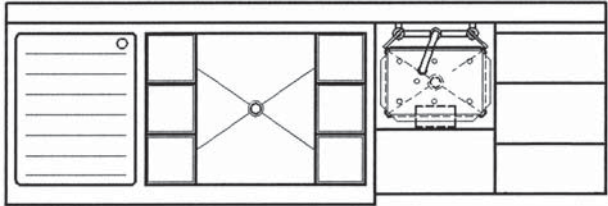
Phone: (714) 848-1688

Fax: (714) 848-2788

Website: www.nbsmfg.com

PRO-LINE

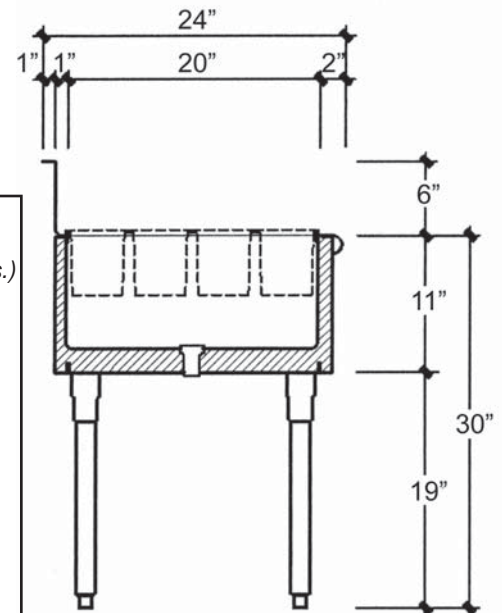
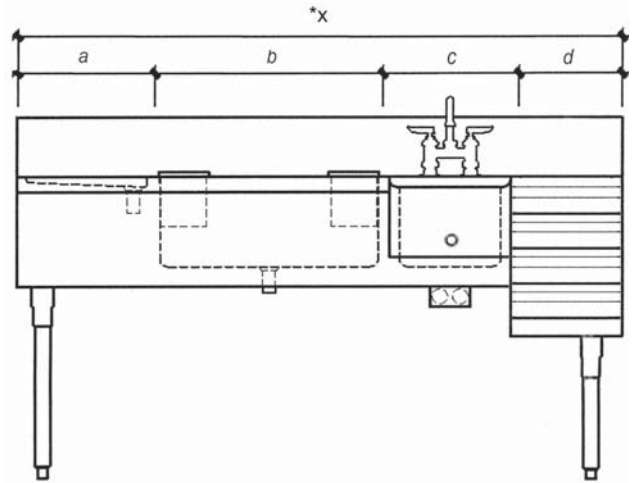
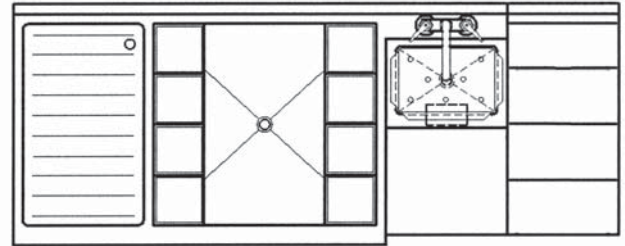
model shown:
NPCS-B-*X



SECTION (PRO-LINE)

CUSTOM

model shown:
NCCS-B-*X



SECTION (CUSTOM)

TECHNICAL DATA

model #	length *X(in.)				shipping weight (lbs.)
	a	b	c	d	
NPCS-B-60	12	24	12	12	140
NPCS-B-72	15	30	12	15	160
NPCS-B-84	18	36	15	15	180
NPCS-B-96	24	36	18	18	200
NCCS-B-60	12	24	12	12	150
NCCS-B-72	15	30	12	15	170
NCCS-B-84	18	36	15	15	190
NCCS-B-96	24	36	18	18	210