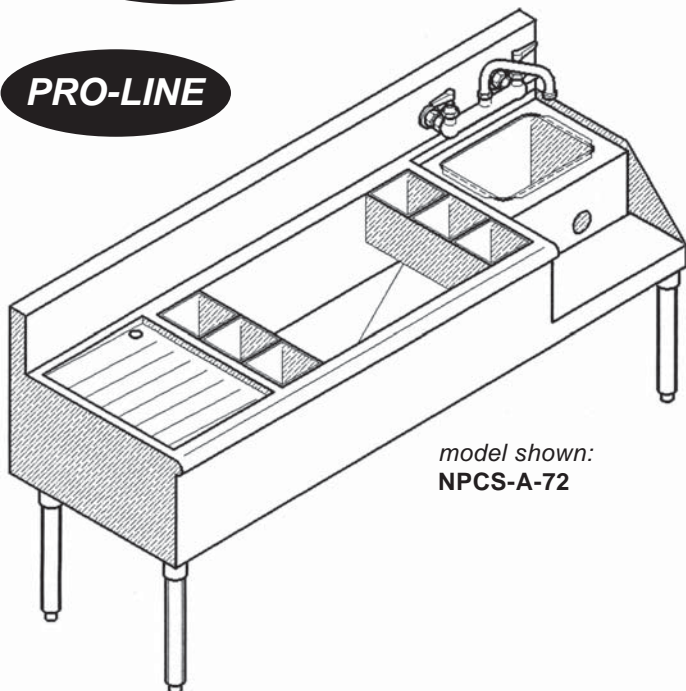




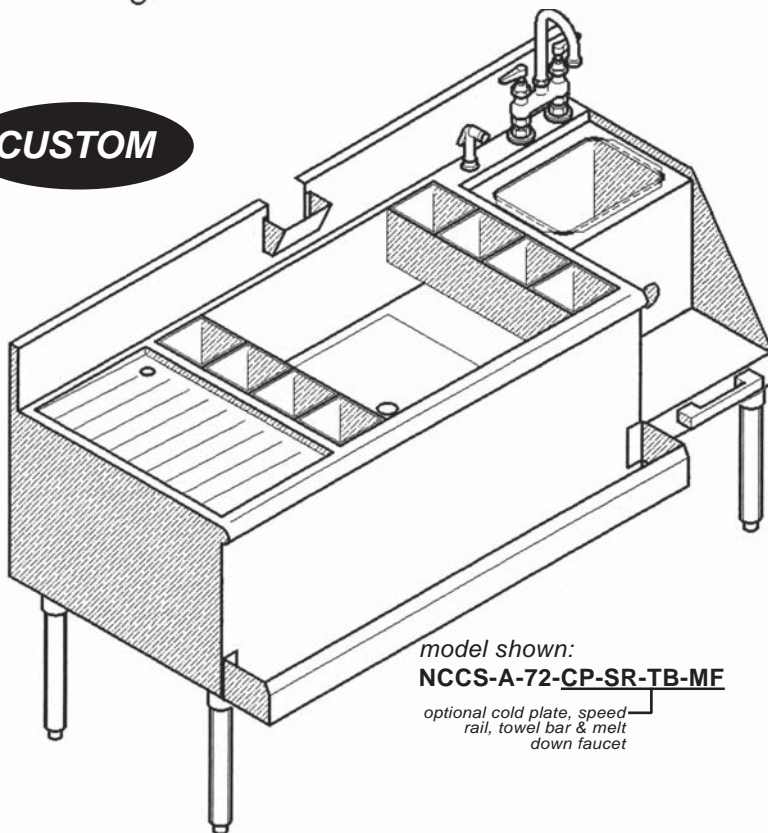
# COCKTAIL STATIONS "A"

## PRO-LINE



model shown:  
NPCS-A-72

## CUSTOM



model shown:  
NCCS-A-72-CP-SR-TB-MF

optional cold plate, speed rail, towel bar & melt-down faucet

## SPECIFICATIONS

### PLUMBING:

- 1" drain connection (w/o cold plates)
- 1/2" drain connection w/cold plate (8-circuit)
- 3/4" drain connection w/cold plate (10 or 12 circuit)

Project \_\_\_\_\_

Dealer \_\_\_\_\_

Item # \_\_\_\_\_ Quantity \_\_\_\_\_

### PRO-LINE SERIES 20" DEEP

model # (for different sizes call)	length
<input type="checkbox"/> NPCS-A-48	48"
<input type="checkbox"/> NPCS-A-60	60"
<input type="checkbox"/> NPCS-A-72	72"

### CUSTOM SERIES 24" DEEP

model # (for different sizes call)	length
<input type="checkbox"/> NCCS-A-48	48"
<input type="checkbox"/> NCCS-A-60	60"
<input type="checkbox"/> NCCS-A-72	72"

### CREATE YOUR OWN DESIGN

NCCSC-A- - - - (other options)

Pro-Line or Custom:  
P or C

Dump Sink Size:  
9, 12, 15, 18, 21, 24 (inches)

Drainboard Size:  
6, 12, 18, 24, 30 (inches)

Jockey Box Size:  
24, 30, 36, 42, 48, 54 (inches)

### STANDARD FEATURES

- 18 gauge #304 stainless
- Heavy duty stainless gussets, legs, adj. feet & support channels
- Bullnose front design
- Seamless tops, pitched drainboard
- Sound insulation undercoating
- Low lead certified faucet (1/2" cold & hot connect.)
- 10" x 8" x 6" dump sink w/ a dump basket (custom)
- 9" x 8" x 6" dump sink w/ a dump basket (proline)
- Stainless bottle cans
- Bottle wells
- Foam insulated ice bins
- 6" High back splash

### OPTIONAL FEATURES

model #	description
<input type="checkbox"/> CF (low lead certified)	Chicago faucet upg.
<input type="checkbox"/> SF (low lead certified)	stainless steel faucet upg.
<input type="checkbox"/> CT	condiment tray
<input type="checkbox"/> CB	cabinet base
<input type="checkbox"/> APR (removable)	hinged apron frnt pnl
<input type="checkbox"/> DR (used w/ -CB)	door
<input type="checkbox"/> SR	speed rail
<input type="checkbox"/> DSR	double speed rail
<input type="checkbox"/> FB	false bottom
<input type="checkbox"/> CP (8, 10, or 12 circuit)	cold plate
<input type="checkbox"/> BC	beer chase
<input type="checkbox"/> SN	soda notch
<input type="checkbox"/> RC	removable cover
<input type="checkbox"/> ID	ice bin divider
<input type="checkbox"/> TB	towel bar
<input type="checkbox"/> BS	bottom shelf
<input type="checkbox"/> MF	melt-down faucet
<input type="checkbox"/> MV (used w/ -MF)	mixing valve
<input type="checkbox"/> SP (4", 8", 10", 12")	high splash
<input type="checkbox"/> SS (L-left, R-right, B-both)	side splash add on
<input type="checkbox"/> M	modified size

\*see options section for more details



NATIONAL BAR SYSTEMS

16571 Burke Lane Huntington Beach, CA 92647

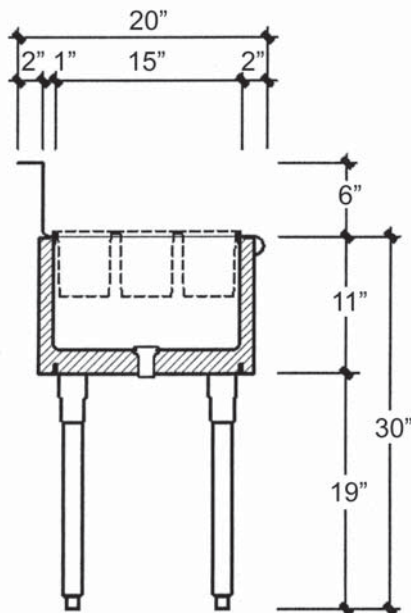
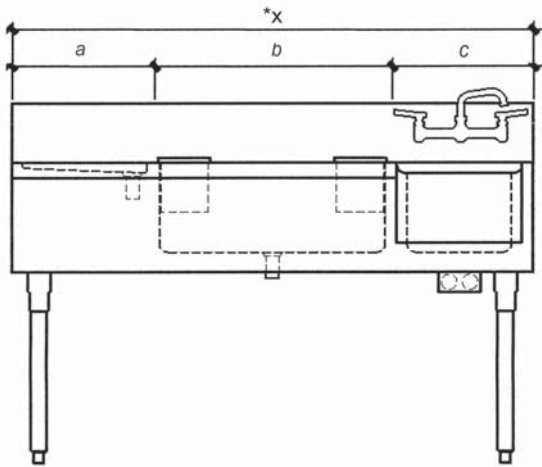
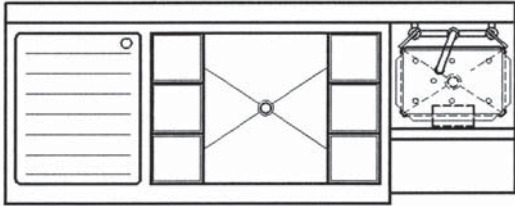
Phone: (714) 848-1688

Fax: (714) 848-2788

Website: www.nbsmfg.com

## PRO-LINE

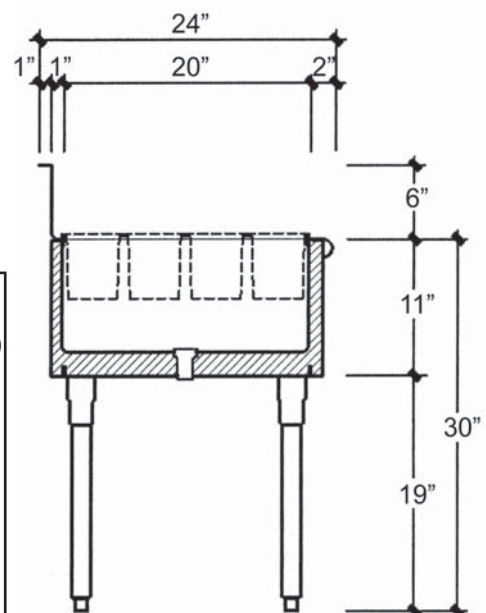
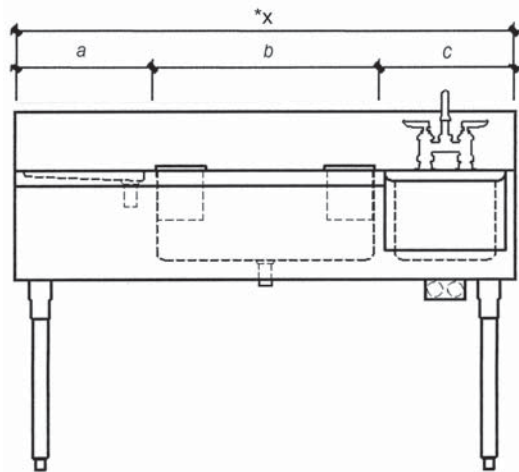
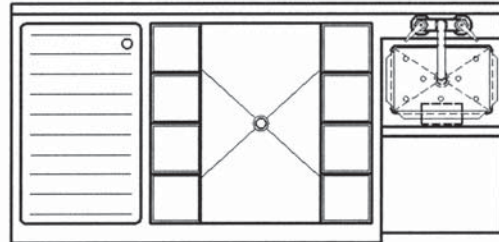
model shown:  
NPCS-A-\*X



### SECTION (PRO-LINE)

## CUSTOM

model shown:  
NCCS-A-\*X



### SECTION (CUSTOM)

### TECHNICAL DATA

model #	length *X(in.)			shipping weight (lbs.)
	a	b	c	
NPCS-A-48	12	24	12	125
NPCS-A-60	15	30	15	140
NPCS-A-72	18	36	18	150
NCCS-A-48	12	24	12	135
NCCS-A-60	15	30	15	150
NCCS-A-72	18	36	18	160